



## **Installation Manual**

### **Energy Storage System (ESS)**

**SMILE-B3-PLUS**

**SMILE-B3-PLUS II**

**SMILE-B3-PLUS III**

**SMILE-B3-PLUS IV**

**V01**

**SMILE-B3-PLUS V**

**SMILE-B3-PLUS VI**

## **IMPRINT**

### **Germany**

Alpha ESS Europe GmbH

Tel.: +49 (0)6103 459 160-1

E-mail: [europe@alpha-ess.de](mailto:europe@alpha-ess.de)

Web: [www.alpha-ess.de](http://www.alpha-ess.de)

Add: Paul-Ehrlich-Straße 1a 63225 Langen

### **China**

Alpha ESS Co., Ltd.

Tel.: +86 (0)513 806 868 91

E-mail: [info@alpha-ess.com](mailto:info@alpha-ess.com)

Web: [www.alpha-ess.com](http://www.alpha-ess.com)

Add: JiuHua Road 888, High-Tech Industrial Development Zone  
226300 Nantong City, Jiangsu Province

### **Australia**

Alpha ESS Australia Pty. Ltd.

Tel.: +61 1300 968 933

E-mail: [australia@alpha-ess.com](mailto:australia@alpha-ess.com)

Web: [www.alpha-ess.com.au](http://www.alpha-ess.com.au)

Add: Suite 1, Level 1, 530 Botany Road, Alexandria, NSW, 2015

### **Italy**

Alpha ESS Italy S.r.l.

Tel.: +39 (0)599 239 50

E-mail: [info@alpha-ess.it](mailto:info@alpha-ess.it)

Web: <https://it.alpha-ess.com/>

Add: Via Loda,17-41013 Castelfranco Emilia(MO)

August 2, 2021

## Copyright Statement

This manual is under the copyright of AlphaESS Co., Ltd. with all rights reserved. Please keep the manual properly and operate in strict accordance with all safety and operating instructions in this manual. Please do not operate the product before reading through the manual.

## Version Information

Version	Date	Content
V01	02.08.2021	New
V02	18.08.2021	Update safety country settings and others

## Content

<b>IMPRINT</b> .....	<b>2</b>
<b>Copyright Statement</b> .....	<b>3</b>
<b>Version Information</b> .....	<b>3</b>
<b>Content</b> .....	<b>4</b>
<b>1. Information on this Document</b> .....	<b>6</b>
<b>1.1 Content and Structure of this Document</b> .....	<b>6</b>
<b>1.2 Target Group</b> .....	<b>6</b>
<b>1.3 Levels of Warning Messages</b> .....	<b>6</b>
<b>1.4 Nomenclature</b> .....	<b>7</b>
<b>2. Safety</b> .....	<b>8</b>
<b>2.1 Intended Use</b> .....	<b>8</b>
<b>2.2 Safety Precaution for Battery Pack</b> .....	<b>8</b>
<b>2.3 Important Safety Instructions</b> .....	<b>10</b>
<b>2.4 Symbols on the Label</b> .....	<b>12</b>
<b>3. Product Introduction and Application Scenarios</b> .....	<b>14</b>
<b>3.1 Product Description</b> .....	<b>14</b>
<b>3.2 Application Scenarios</b> .....	<b>16</b>
<b>4. Storage</b> .....	<b>17</b>
<b>4.1 Product Storage</b> .....	<b>17</b>
<b>5. Unpacking</b> .....	<b>18</b>
<b>5.1 Checking the Outer Packing</b> .....	<b>18</b>
<b>5.2 Scope of Delivery</b> .....	<b>18</b>
<b>6. Mounting</b> .....	<b>20</b>
<b>6.1 Requirements for Mounting</b> .....	<b>20</b>
<b>6.2 Preparing Tools and Instruments</b> .....	<b>22</b>
<b>6.3 Mounting Inverter and Expansion Battery Pack</b> .....	<b>23</b>
<b>7. Electrical Connection</b> .....	<b>30</b>
<b>7.1 Overview of the Connection Area</b> .....	<b>31</b>
<b>7.2 Preparing Cables</b> .....	<b>32</b>
<b>7.3 Connecting Additional Grounding</b> .....	<b>33</b>
<b>7.4 AC Connection</b> .....	<b>34</b>

---

<b>7.5 Meter &amp; CT Connection</b> .....	<b>38</b>
<b>7.6 Communication Connection</b> .....	<b>44</b>
<b>7.7 Electrical Connection of Expansion Battery Packs</b> .....	<b>47</b>
<b>7.8 Mounting the Cable Box Cover</b> .....	<b>49</b>
<b>8. WiFi Setting</b> .....	<b>50</b>
<b>8.1 Download and Install APP</b> .....	<b>50</b>
<b>8.2 Overview of Functions for Installer Account</b> .....	<b>50</b>
<b>8.3 WiFi Module Setting</b> .....	<b>51</b>
<b>9. Commissioning</b> .....	<b>53</b>
<b>9.1 Checking Before Power-On</b> .....	<b>54</b>
<b>9.2 Check the Running State</b> .....	<b>55</b>
<b>9.3 Powering Off the Product</b> .....	<b>56</b>
<b>10. Maintenance and Troubleshooting</b> .....	<b>57</b>
<b>10.1 Routine Maintenance</b> .....	<b>57</b>
<b>10.2 Troubleshooting</b> .....	<b>58</b>
<b>11. Uninstallation &amp; Return</b> .....	<b>63</b>
<b>11.1 Removing the Product</b> .....	<b>63</b>
<b>11.2 Packing the Product</b> .....	<b>63</b>
<b>11.3 Disposing of the Product</b> .....	<b>63</b>
<b>12. Specification</b> .....	<b>64</b>
<b>12.1 Technical Data of SMILE-B3-PLUS</b> .....	<b>64</b>
<b>Appendix: Communication Connection Figure</b> .....	<b>67</b>

## 1. Information on this Document

### 1.1 Content and Structure of this Document

This document is valid for product of SMILE-B3-PLUS (SMILE-B3-PLUS II, SMILE-B3-PLUS III, SMILE-B3-PLUS IV, SMILE-B3-PLUS V, SMILE-B3-PLUS VI) which has integrated 3 kW AC-coupled inverter and 1~6 battery packs SMILE-BAT-5P. This document describes the mounting, installation, commissioning, configuration, operation, troubleshooting and decommissioning of the product as well as the operation of the product user interface.

Observe all documentation that accompanies the product, keep them in a convenient place and available at all times.

Illustrations in this document are reduced to the essential information and may deviate from the real product.

### 1.2 Target Group

This document is intended for qualified persons and end users. Only qualified persons are allowed to perform the activities marked in this document with a warning symbol. Tasks that do not require any particular qualification are not marked and can also be performed by end users. Qualified persons must have the following skills:

- Knowledge of how an inverter works and operates.
- Training in how to deal with the dangers and risks associated with installing and using electrical devices, batteries and systems.
- Training in the installation and commissioning of electrical devices and systems.
- Knowledge of the applicable standards and directives.
- Knowledge of and compliance with this document, including all safety precautions.
- Knowledge of and compliance with the documents of the battery manufacturer, including all safety precautions.

### 1.3 Levels of Warning Messages

The following levels of warning messages may occur when handling the product.



#### **DANGER**

DANGER indicates a hazardous situation which, if not avoided, will result in death or serious injury.



#### **WARNING**

WARNING indicates a hazardous situation which, if not avoided, could result in death or serious injury.

**CAUTION**

CAUTION indicates a hazardous situation which, if not avoided, could result in minor or moderate injury.

**NOTICE**

NOTICE indicates a situation which, if not avoided, can result in property damage.



INFORMATION provides tips which are valuable for the optimal installation and operation of the product.

## 1.4 Nomenclature

Complete designation	Designation in this document
SMILE-BAT-5P	Battery Pack

## 2. Safety

### 2.1 Intended Use

The SMILE-B3-PLUS, potential expansion battery packs (SMILE-BAT-5P) and the energy meters make up a system for optimization of self-consumption in a household.

The inverter can achieve bidirectional transfer between AC current and DC current. The battery pack is used for the intermediate storage of the energy.

The product is suitable for indoor and outdoor use.

All components must remain within their permitted operating ranges at all times.

Use this product only in accordance with the information provided in the enclosed documentation and with the locally applicable standards and directives. Any other application may cause personal injury or property damage.

Alterations to the product, e.g. changes or modifications, are only permitted with the express written permission of AlphaESS. Unauthorized alterations will void guarantee and warranty claims. AlphaESS shall not be held liable for any damage caused by such changes.

Any use of the product other than that described in the Intended Use section does not qualify as appropriate.

The enclosed documentation is an integral part of this product. Keep the documentation in a convenient place for future reference and observe all instructions contained therein.

The type label must remain permanently attached to the product.

### 2.2 Safety Precaution for Battery Pack

#### 2.2.1 General Safety Precautions

Overvoltage or wrong wiring can damage the battery pack and cause deflagration, which can be extremely dangerous.

All types of breakdown of the battery may lead to a leakage of electrolyte or flammable gas.

Battery pack is not user serviceable. High voltage is present in the device.

Read the label with Warning Symbols and Precautions, which is on the right side of the battery pack.

Do not connect any AC conductors or PV conductors directly to the Battery Pack which should be only connected to the Inverter.

Do not charge or discharge damaged battery.

Do not damage the battery pack in such ways as dropping, deforming, impacting, cutting or penetrating with a sharp object. It may cause a leakage of electrolyte or fire.



Do not expose battery to open flame.

## 2.2.2 Response to Emergency Situations

The battery pack comprises multiple batteries that are designed to prevent hazards resulting from failures. However, AlphaESS cannot guarantee their absolute safety.

- If a user happens to be exposed to internal materials of the battery cell due to damage on the outer casing, the following actions are recommended.  
Inhalation: Leave the contaminated area immediately and seek medical attention.  
Eye contact: Rinse eyes with running water for 15 minutes and seek medical attention.  
Contact with skin: Wash the contacted area with soap thoroughly and seek medical attention.  
Ingestion: Induce vomiting and seek medical attention.

If a fire breaks out in the place where the battery pack is installed, perform the following countermeasures:

- Fire extinguishing media  
Respirator is not required during normal operations.  
Use FM-200 or CO<sub>2</sub> extinguisher for battery fire.  
Use an ABC fire extinguisher, if the fire is not from battery and not spread to it yet.
- Firefighting instructions
  1. If fire occurs when charging batteries, if it is safe to do so, disconnect the battery pack circuit breaker to shut off the power to charge.
  2. If the battery pack is not on fire yet, extinguish the fire before the battery pack catches fire.
  3. If the battery pack is on fire, do not try to extinguish but evacuate people immediately.



### **WARNING**

There may be a possible explosion when batteries are heated above 150°C.  
When the battery pack is burning, it leaks poisonous gases. Do not approach.

- Effective ways to deal with accidents

On land: Place damaged battery into a segregated place and call local fire department or service engineer.

In water: Stay out of the water and don't touch anything if any part of the battery, inverter, or wiring is submerged.

Do not use submerged battery again and contact the service engineer.

## 2.3 Important Safety Instructions

This section contains safety precautions that must be observed at all times when working on or with the product.

To prevent personal injury and property damage and to ensure long-term operation of the product, read this section carefully and follow all safety precautions at all times.

### **DANGER**

#### **Danger to life due to electric shock when live components or cables are touched**

High voltages are present in the conductive components or cables of the product. Touching live parts and cables results in death or lethal injuries due to electric shock.

- Do not touch non-insulated parts or cables.
- Disconnect the product from voltage sources and make sure it cannot be reconnected before working on the inverter or the battery pack.
- After disconnection, wait 5 minutes until the capacitors have discharged.
- Do not open the product.
- Wear suitable personal protective equipment for all work on the product.

### **DANGER**

#### **Danger to life due to electric shock when touching live system components in case of a ground fault**

If a ground fault occurs, parts of the system may still be live. Touching live parts and cables results in death or lethal injuries due to electric shock.

- Disconnect the product from voltage sources and make sure it cannot be reconnected before working on the device.

### **DANGER**

#### **Danger to life due to high voltages on the battery pack**

Lethal voltage is present at the pin connector for the power cable. Reaching into the pin connector for the power cable can result in lethal electric shock.

- Do not open the battery pack.
- Do not wipe over the battery pack with a damp cloth.
- Leave the protective caps on the pin connectors for the batteries power connection until the inverter cables are connected to the battery pack.
- Disconnect the product from voltage sources and make sure it cannot be reconnected before working on the inverter or the battery pack.

 **WARNING****Risk of chemical burns from electrolyte or toxic gases**

During normal operation, no electrolyte can leak from the battery pack and no toxic gases can form. Despite careful construction, if the battery pack is damaged or a fault occurs, it is possible that electrolyte may be leaked or toxic gases formed.

- Store the battery pack in a cool and dry place.
- Do not drop the battery pack or damage it with sharp objects.
- Only set the battery pack down on its back or its bottom.
- Do not open the battery pack.
- Do not install or operate the battery pack in potentially explosive atmosphere or areas of high humidity.
- If moisture has penetrated the battery pack (e.g. due to a damaged housing), do not install or operate the battery pack.
- In case of contact with electrolyte, rinse the affected areas immediately with water and consult a doctor without delay.

 **CAUTION****Risk of burns due to hot heatsink and housing**

The heatsink and housing can get hot during operation.

- During operation, do not touch any parts other than the cover of the inverter.

**NOTICE****Damage to the inverter due to electrostatic discharge**

- Touching electronic components can cause damage to or destroy the inverter through electrostatic discharge.
- Ground yourself before touching any component.










**NOTICE****Damage due to cleaning agents**

The use of cleaning agents may cause damage to the product and its components.














- Clean the product and all its components only with a cloth moistened with clear water.

## 2.4 Symbols on the Label

Symbols on the type label of the inverter

Symbol	Explanation
	Beware of a danger zone This symbol indicates that the product must be additionally grounded if additional grounding or equipotential bonding is required at the installation site.
	Beware of electrical voltage The product operates at high voltages.
	Beware of hot surface The product can get hot during operation.
	Danger to life due to high voltages in the inverter, observe a waiting time of 5 minutes. High voltages that can cause lethal electric shocks are present in the live components of the inverter. Prior to performing any work on the inverter, disconnect it from all voltage sources as described in this document.
	WEEE designation Do not dispose of the product together with the household waste but in accordance with the disposal regulations for electronic waste applicable at the installation site.
	Observe the documentation
	Certified safety The product is TÜV-tested and complies with the requirements of the EU Equipment and Product Safety Act.
	CE marking The product complies with the requirements of the applicable EU directives.
	RCM (Regulatory Compliance Mark) The product complies with the requirements of the applicable Australian standards.

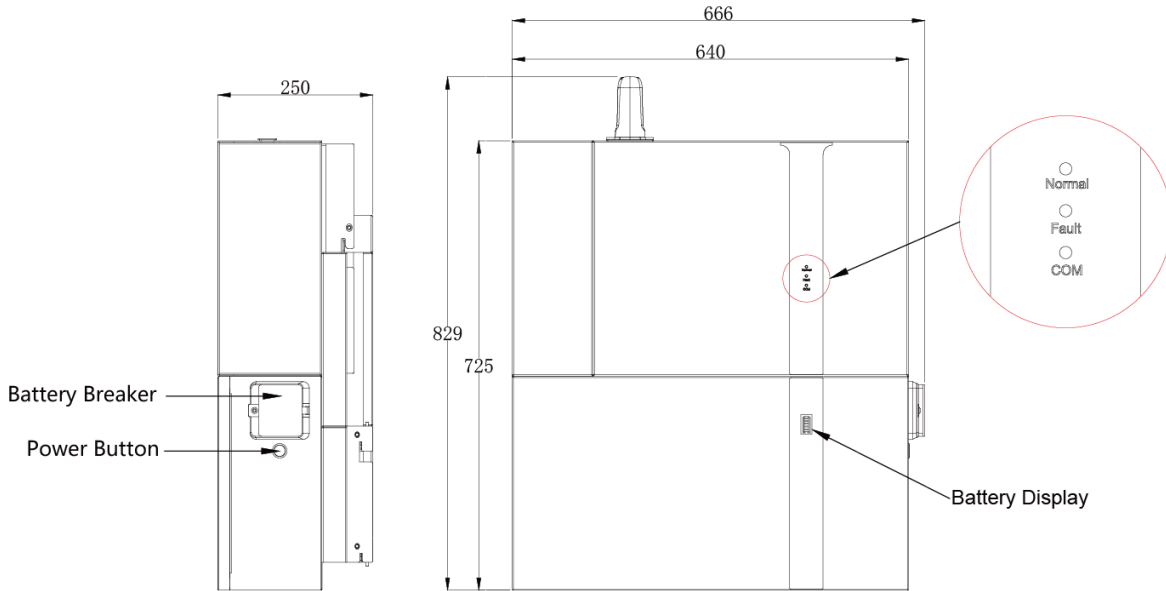
**Symbols on the type label and warning label of the battery pack**

Symbol	Explanation
	Beware of a danger zone This symbol indicates that the product must be additionally grounded if additional grounding or equipotential bonding is required at the installation site.
	Beware of electrical voltage The product operates at high voltages.
	Risk of chemical burns
	Risk of explosion
	Observe the documentation
	Risk of electrolyte leakage
	CE marking The product complies with the requirements of the applicable EU directives.
	Refer to the instruction for operation
	Use eye protection
	Fire, naked light and smoking prohibited
	No nearing
	Do not dispose of the battery pack together with the household waste but in accordance with the locally applicable disposal regulations for batteries
	Recycling code
<b>UN38.3</b>	Marking for transport of dangerous goods The product passes the certifications of the UN38.3









### 3. Product Introduction and Application Scenarios

#### 3.1 Product Description

##### Appearance and Dimensions (mm)



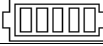






## Inverter LED Signals

LED	Status	Description
Normal		Normally on: normal operation
		Single flicker: system standby or self-checking
		Extinguishing: out-of-order
Fault		Extinguishing: fault-free
		Normally on: out-of-order
COM		Normally on: normal network connection
		Flicker: connecting to the server
		Extinguishing: un-connected network

## Battery LED Signals

Different colors represent different states, green for SOC state, yellow for protection state, red for error state.

The LED indicators provide information about the SOC operational status of the battery pack.

	SOC Status	Description
SOC Instruction		SOC<5%
		5%=<SOC<25%
		25%=<SOC<50%
		50%=<SOC<75%
		75%=<SOC<95%
		SOC>95%
LED Outer Ring Light Flicker Status		Standby: green light flicker 1s Work: green light flicker 10s

### 3.2 Application Scenarios

SMILE-B3-PLUS is an AC-coupled all-in-one battery energy storage system (BESS). It can help to achieve the optimal usage of renewable energy. SMILE-B3-PLUS can control the bi-directional flow of electric power, work under auto/manual & time-of-use (TOU) modes, charge/discharge the battery as per customer's setting. Under the auto mode, SMILE-B3-PLUS will store surplus renewable energy onto the battery and discharge battery to supply power to local loads when renewable energy is not enough.

The standard schematic is as below:

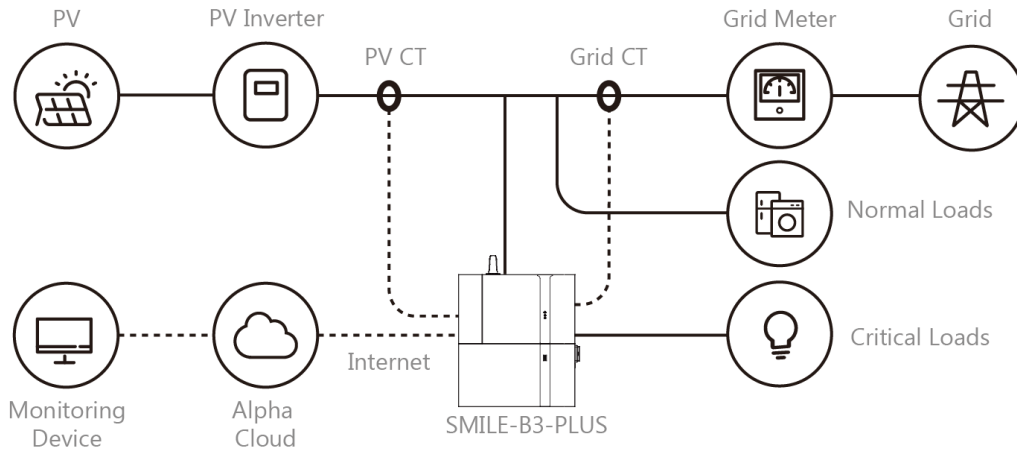


Figure 3.1 SMILE-B3-PLUS System with PV

**NOTE:** For the AC coupled system with PV, if only install Grid CT, the system cannot display power generated by PV inverter, electric energy production etc.

If there is no PV, the schematic is as below:

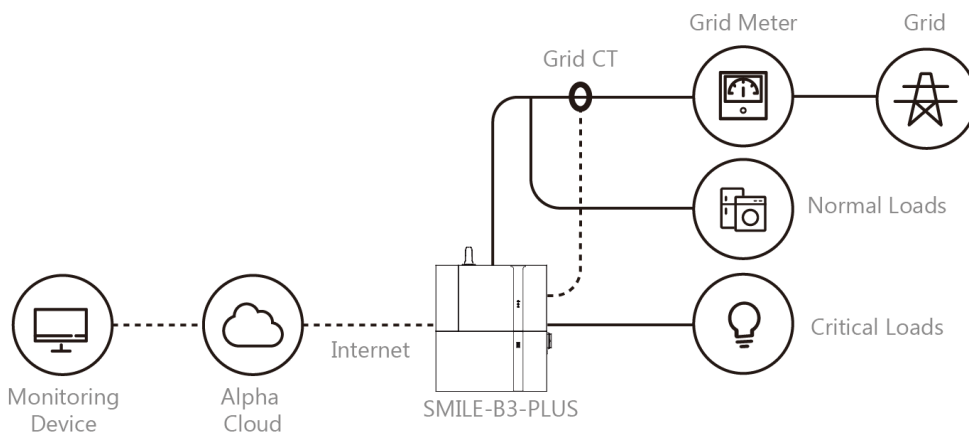


Figure 3.2 SMILE-B3-PLUS System without PV

**NOTE:** SMILE-B3-PLUS is not support for multiple INV combination and do not support providing 3 phase output.



## 4. Storage

### 4.1 Product Storage

The following requirements should be met if the product is not put into use directly:

1. Do not unpack the product.
2. The product should be stored in a clean and dry place and be protected from dust and water vapor corrosion.
3. Place product according to the signs on the packing case during storage  
A maximum of 2 layers can be stacked. To avoid personal injury or device damage, stack products with caution to prevent them from falling over.
4. Store the product out of reach of children and animals.
5. Handle product with caution to avoid damage.
6. The storage environment requirements are as follows:
  - Ambient temperature: -10~55°C, recommended storage temperature: 15~30°C
  - Relative humidity: 15%~ 85%
  - Place products in a place that is away from corrosive organic solvents and gases.
  - Keep products away from direct sunlight.
  - Keep products at least 2 meters away from heat sources.
8. The product in storage must be disconnected from external devices. The indicators (if any) on the products should be off.
9. Products should be delivered based on the "first in, first out" rule.
10. The warehouse keeper should collect battery storage information every month and periodically report the battery inventory information to the planning department. The batteries that have been stored for nearly 6 months should be recharged timely.
11. If a lithium battery is stored for a long time, capacity loss may occur. After a lithium battery is stored for 12 months in the recommended storage temperature, the irreversible capacity loss rate is 3%~10%. It is recommended that batteries not be stored for a long period. If the batteries need to be stored for more than 6 months, it is recommended to recharge the batteries to 65~75% of the SOC. For example, they can be recharged every 6 months at least, and must be recharged to at least 50% of the SOC.

## 5. Unpacking

### 5.1 Checking the Outer Packing

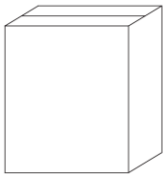
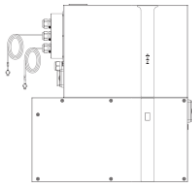
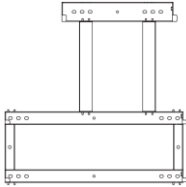
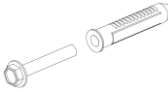

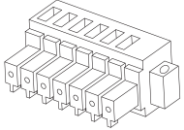
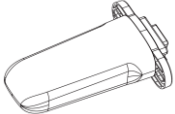
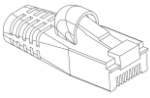
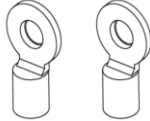

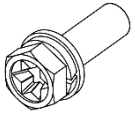

Before unpacking the SMILE-B3-PLUS, check the outer packing for damage, such as holes and cracks. If any damage is found, do not unpack the product and contact your dealer as soon as possible.


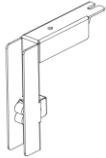
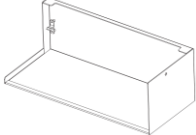
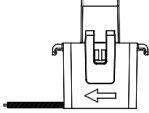
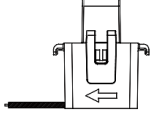
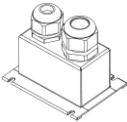
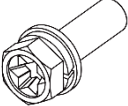
### 5.2 Scope of Delivery

Check the scope of delivery for completeness and any externally visible damage. Contact your distributor if the scope of delivery is incomplete or damaged.

**NOTE:**

SMILE-B3-PLUS is equipped with an extra accessory package.

SMILE-B3-PLUS				
				
Carton (X1)	SMILE-B3-PLUS (X1)	Wall Bracket (X1)	Wall Anchor ST6*55 (X8)	Cord End Terminal (X7)
				
6 Pin Terminal Block (X1)	WiFi Module (X1) Optional	Terminal Resistor (X1)	Ring Terminal Lug (X2)	T20 Screwdriver (X1)
				
Screw M5*10 (X2) Screw M6*16 (X6)	Installation Manual (X1)			

<b>SMILE-B3-PLUS Accessory Package</b>				
				
Carton (X1)	Holder for Cable Box Cover (X2)	Cable Box Cover (X1)	PV CT (X1)	Grid CT (X1)
				
AC Connection Cover (X1)	Screw M4*12 (X10)			

## 6. Mounting

### 6.1 Requirements for Mounting



#### **WARNING**

##### **Danger to life due to fire or explosion**

Despite careful construction, electrical devices can cause fires.

- Do not mount the product in areas containing highly flammable materials or gases.
- Do not mount the product in potentially explosive atmospheres.

#### **Basic Requirements**

- SMILE-B3-PLUS and SMILE-BAT-5P are suitable for indoor and outdoor use.
- Do not install the product in a place where a person can easily touch it because its housing and heatsink are hot during operation.
- Do not mount the product in areas with flammable or explosive materials.
- Do not mount the product at a place within children's reach.
- Do not mount the product outdoors in salt areas because it will be corroded there and may cause fire. A salt area refers to the region within 500m from the coast or prone to sea breeze. The regions prone to sea breeze vary depending on weather conditions (such as typhoons and monsoons) or terrains (such as dams and hills).

#### **Mounting Environment Requirements**

- The product must be mounted in a well-ventilated environment to ensure good heat dissipation.
- When mounted under direct sunlight, the power of the product may be derated due to additional temperature rise.
- Mount the product in a sheltered place or mount an awning over the product.
- The optimal temperature range for the battery pack to operate is from 15 to 30 °C.
- Do not expose or place near water sources like downspouts or sprinklers.
- If the battery pack is mounted in the garage, then ensure that it is above the height of the vehicle bumper and/ or door.

#### **Mounting Structure Requirements**

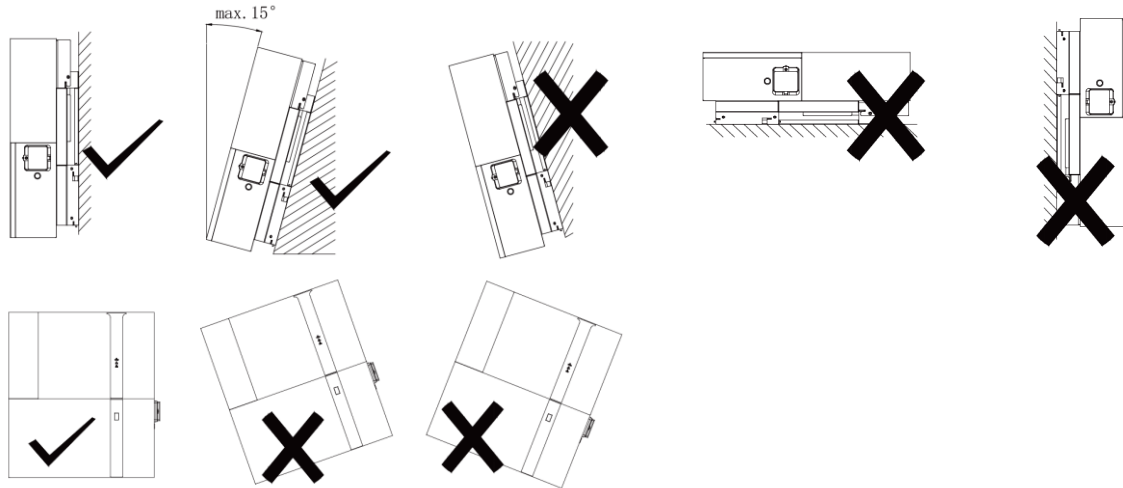
- The mounting structure where the product is mounted must be fireproof.
- Do not mount the product on flammable building materials.
- Ensure that the mounting surface is solid enough to bear the weight load.
- In residential areas, do not mount the product on drywalls or walls made of similar materials which have a weak sound insulation performance because the noise generated by the product is noticeable.

## Mounting Angle and Stack Requirement

SMILE-B3-PLUS and SMILE-BAT-5P should be wall-mounted.

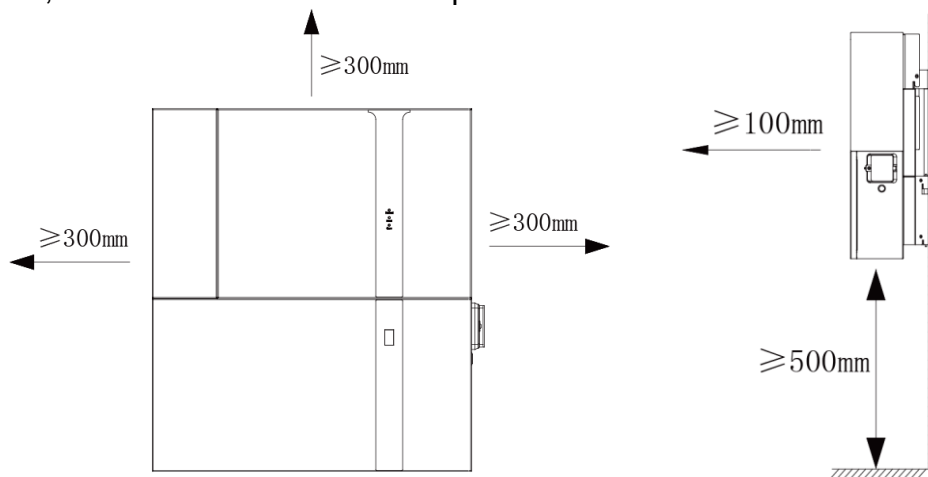
The installation angle requirement is as follow:

- Do not mount the product at forward tilted, side tilted, horizontal, or upside down positions.

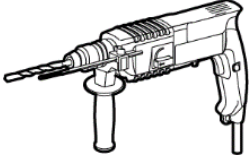


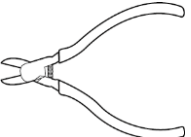
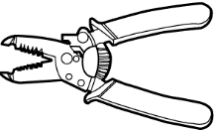
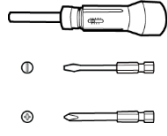

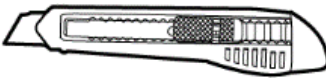

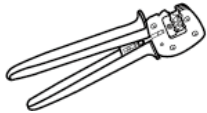



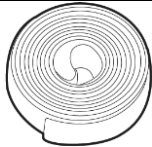
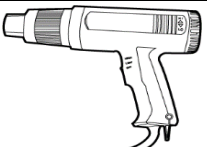
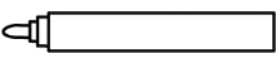








## Mounting Space Requirements

- Reserve sufficient clearance around the product to ensure sufficient space for installation, maintenance and heat dissipation.



## 6.2 Preparing Tools and Instruments

Category	Tools and Instruments		
Installation	 Hammer drill (with a $\Phi 10$ mm drill bit)	 Torque socket wrench SW10	 Multimeter (DC voltage measurement range $\geq 1000$ V DC)
	 Diagonal pliers	 Wire stripper	 Torque screwdriver (slotted head, torque range: 0~2 Nm)
	 Rubber mallet	 Utility knife	 Cable cutter
	 Crimping tool (model: PV-CZM-22100)	 Cord end terminal crimper	 Disassembly and Assembly Tool (model: PV-MS-HZ open-end wrench)
	 Vacuum cleaner	 Heat shrink tubing	 Heat gun
	 Marker	 Measuring tape	 Bubble or digital level
Personal protective equipment	 Safety gloves	 Safety goggles	 Anti-dust respirator
	 Safety shoes	N/A	N/A

## 6.3 Mounting Inverter and Expansion Battery Pack



### WARNING

#### Risk of injury due to weight of product

Injuries may result if the product is lifted incorrectly or dropped while being transported or mounted.

- Transport and lift the product carefully. Take the weight of the product into account.
- Wear suitable personal protective equipment for all work on the product.



### CAUTION

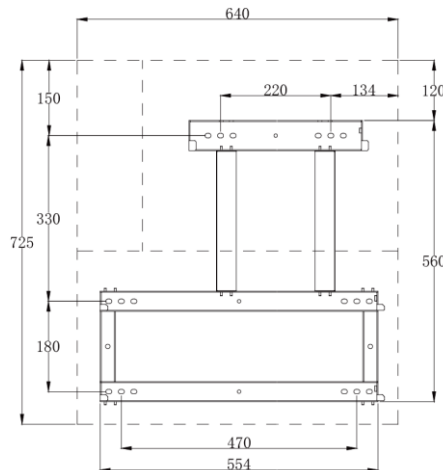
#### Risk of injury due to damaged cables

There may be power cables or other supply lines (e.g., gas or water) routed in the wall.

- Ensure that no lines are laid in the wall which could be damaged when drilling holes.

### 6.3.1 Mounting the SMILE-B3-PLUS

Dimensions of wall bracket (mm)

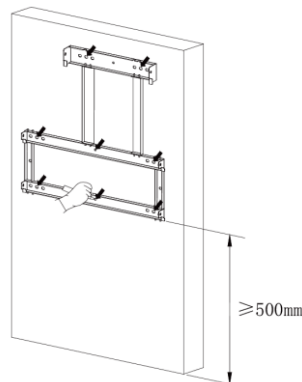


The steps to mount the SMILE-B3-PLUS are listed below:

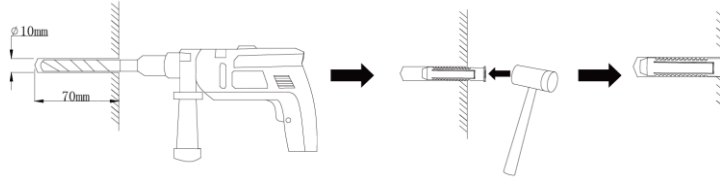
1. Remove the wall bracket from SMILE-B3-PLUS, place the wall bracket on the wall where the system will be installed, and use a marker to locate the bracket.

#### NOTE:

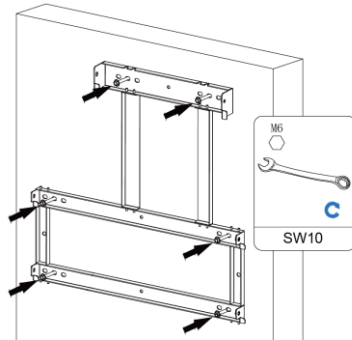
Considering the battery expansion, the bottom of the wall bracket should be at least 500 mm above the ground.



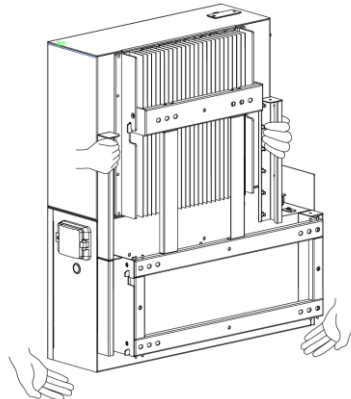
1. Drill 8 holes on the wall with drill  $\Phi 10$  and insert 8 screw anchors into the drill holes.



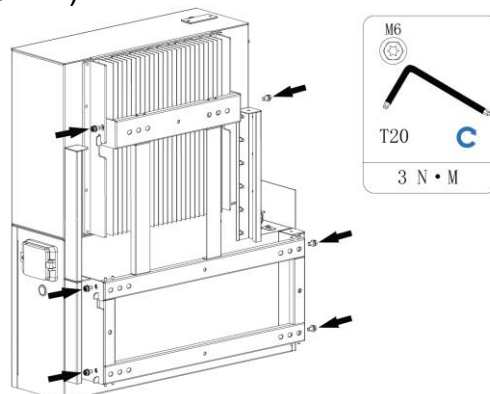
2. Attach the wall bracket to the wall using the screws with the tool of SW10 hexagon sleeve.



3. Hold the handles on both sides of the inverter and install SMILE-B3-PLUS on the wall bracket. This step should take two people to complete.



4. Tighten the wall bracket and SMILE-B3-PLUS with screw M6\*16 (X6) (tool: T20 screwdriver, torque: 3.0 Nm).



5. Perform electrical connection work (please refer to Section 7 Electrical Connection).

**NOTE:**

If there are no expansion batteries to install, please ignore Chapter 6.3.2 and skip to 6.3.3.

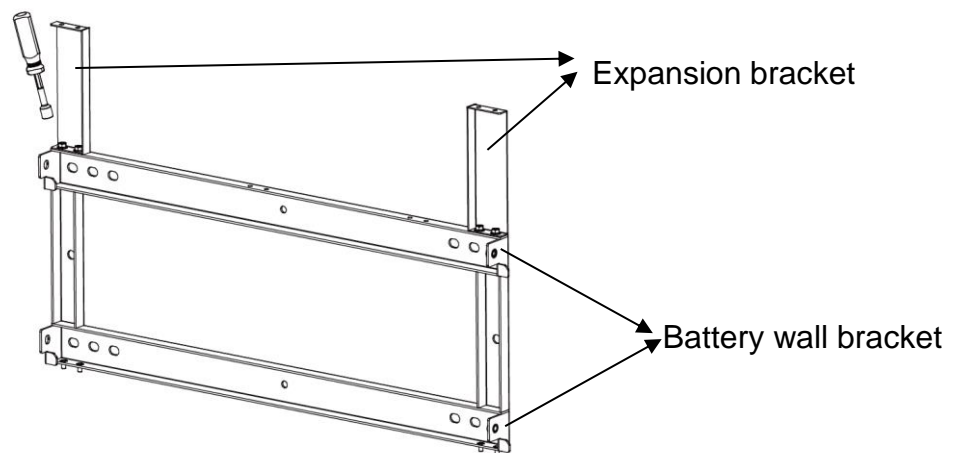


### 6.3.2 Mounting the Expansion Battery Pack

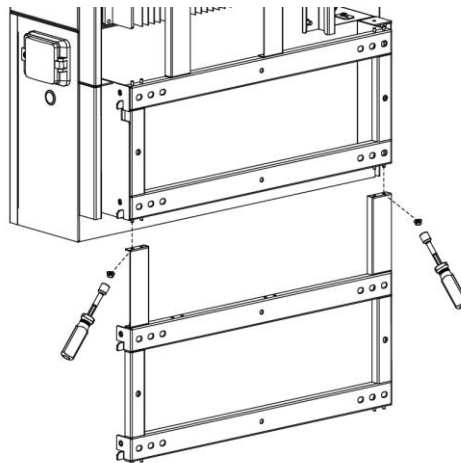
You can install up to 5 extra batteries in a system.

The steps for expanding the battery is as below. Expansion wiring refer to Chapter 7.7.

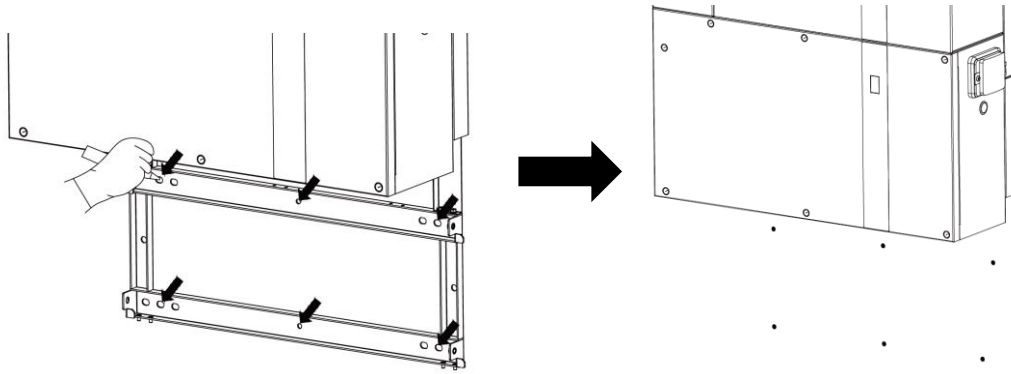
1. Take out the battery wall bracket and the expansion bracket and fix them together by using four M4 flange nuts (tools: SW7 sleeve or other tools for M4 flange, torque: 1.6 Nm).



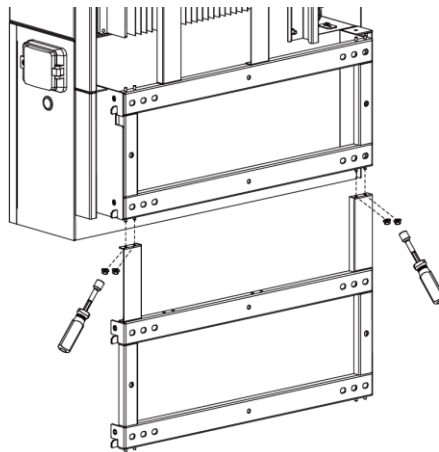
2. Use two M4 flange nuts to fix the wall bracket assembled in the step 1 to the wall bracket of SMILE-B3-PLUS (tools: SW7 sleeve or other tools for M4 flange, torque: 1.6 Nm).



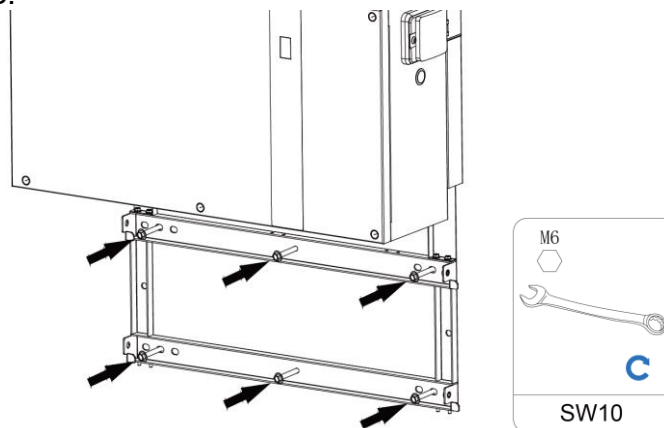
3. Mark the points with a marker and remove the assembled wall bracket.



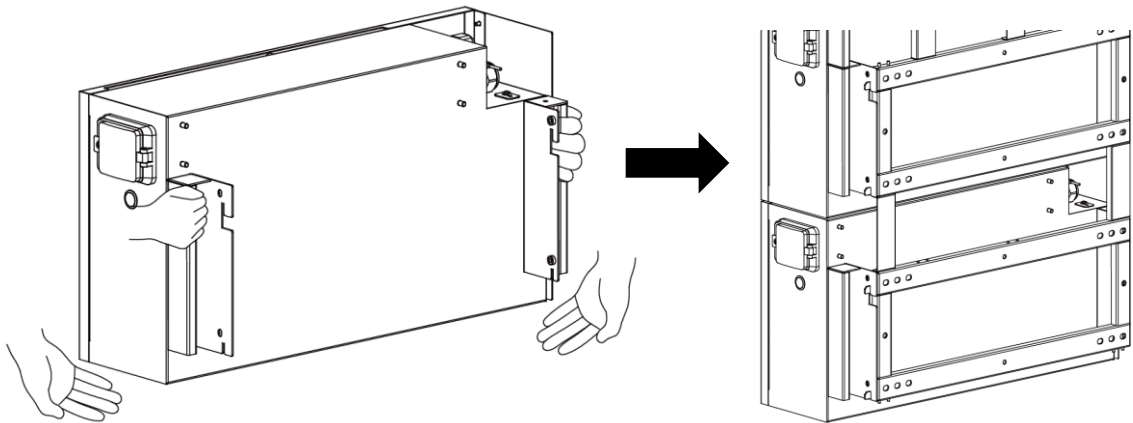
4. Drill 6 holes on the wall with drill  $\Phi 10$ , insert 6 screw anchors into the drill holes.
5. Use four M4 flange nuts to fix the wall bracket assembled in the step 1 to the wall bracket of SMILE-B3-PLUS again (tools: SW7 sleeve or other tools for M4 flange, torque: 1.6 Nm).



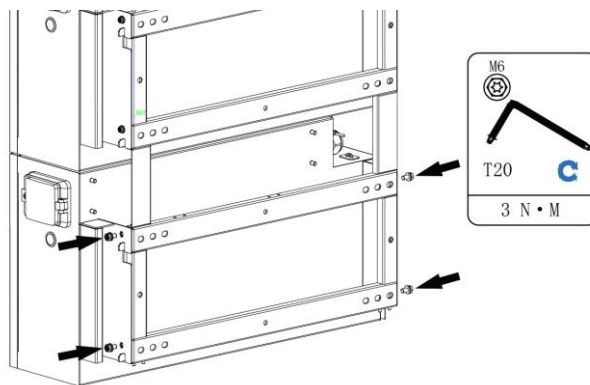
6. Attach the wall bracket for expansion to the wall by using the screws with SW10 hexagon sleeve.



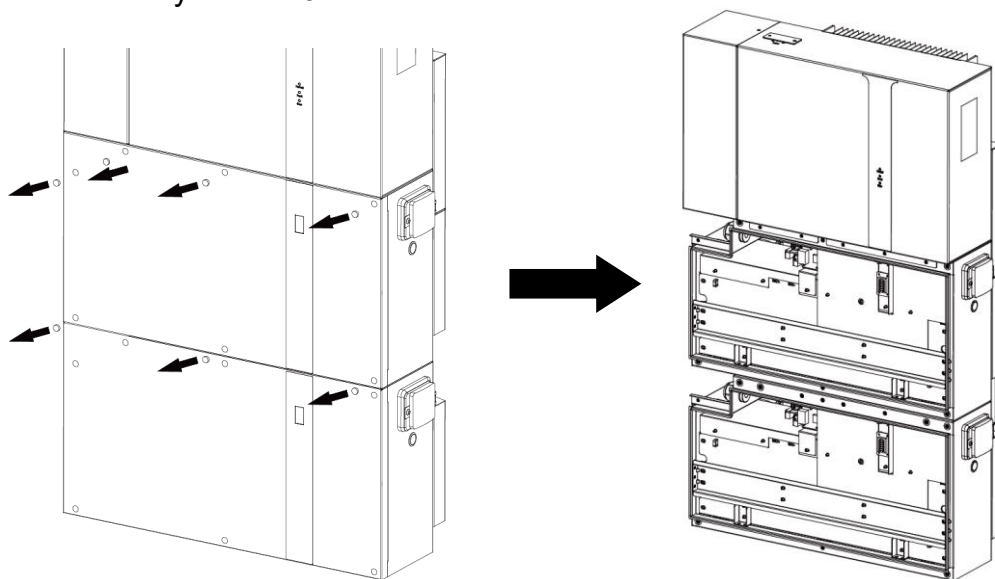
7. Hold the handles on both sides of the battery pack and install the battery pack on the wall bracket. This step should take two people to complete.



6. Tighten the wall bracket and the battery pack with screw M6\*16 (X4) (tool: T20 screwdriver, torque: 3.0 Nm).

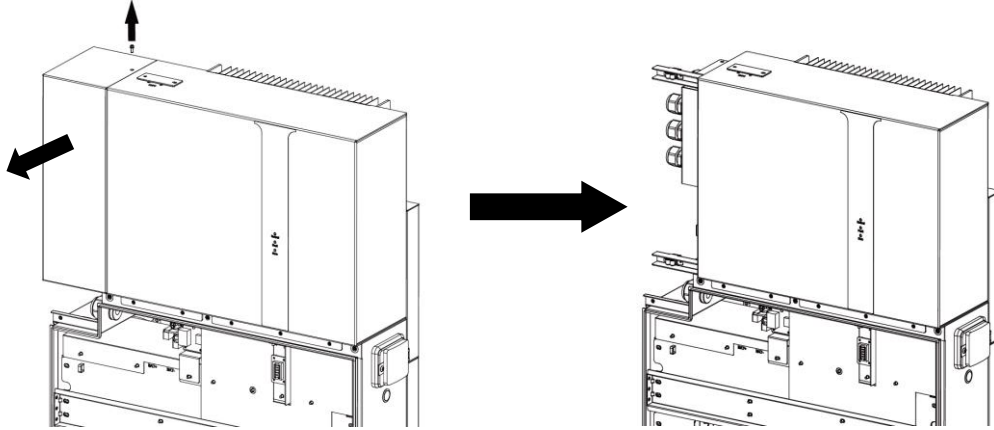


7. Remove the rubber plugs from the battery, and remove the screws that fasten the cover to the battery with T20 screwdriver.



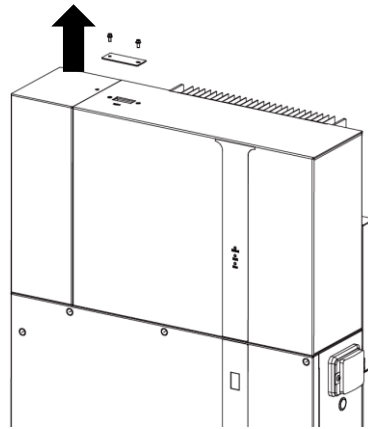
8. Remove the cable box cover which has installed before with T20 screwdriver and perform electrical connection work (please refer to Chapter 7.7).

If the expanded battery and SMILE-B3-PLUS are installed at the same time, there is no need to remove the cable box cover.

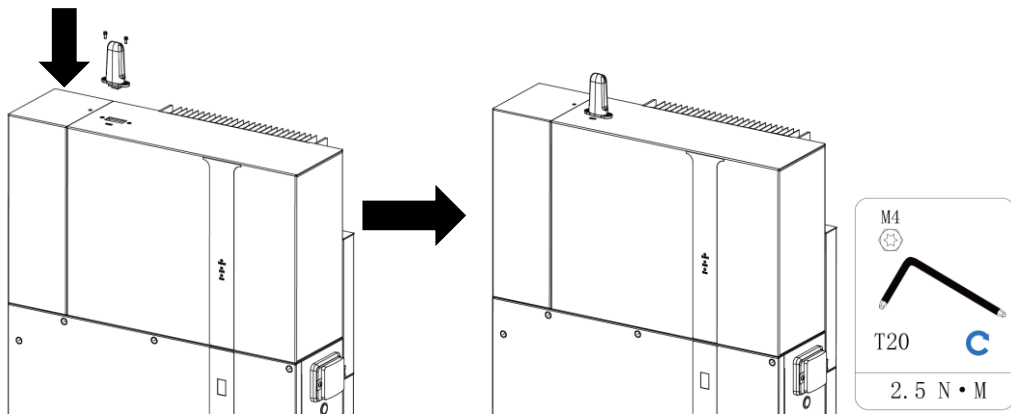


### 6.3.3 Mounting the WiFi Module

1. Remove the WiFi cover from the top of the inverter with Torx 20 screwdriver.



2. Tighten the WiFi module on the top of SMILE-B3-PLUS.



## 7. Electrical Connection

### Precautions

 **DANGER**

Before connecting cables, ensure that all breakers of the SMILE-B3-PLUS and the battery pack and all the switches connected to SMILE-B3-PLUS and the battery pack are set to OFF. Otherwise, the danger voltage of the product may result in electric shocks.

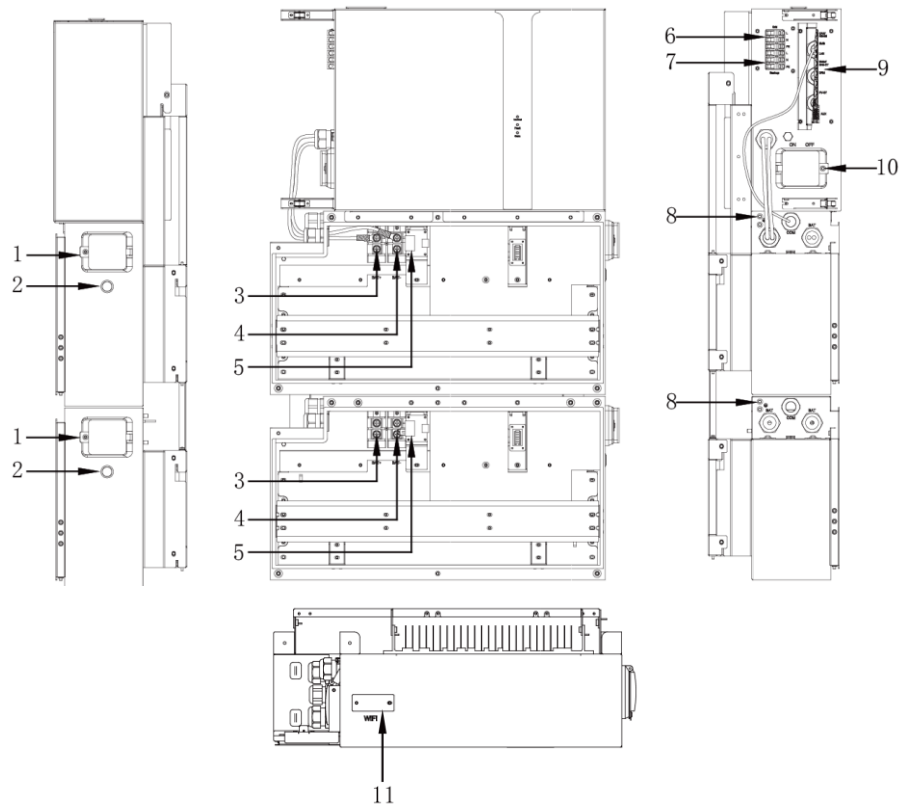
 **WARNING**

- The device damage caused by incorrect cable connections is not covered under any warranty.
- Only certified electricians are allowed to connect cables.
- Operation personnel must wear proper PPE when connecting cables.

**NOTICE**

The cable colors shown in the electrical connection diagrams provided in this chapter are for reference only.  
Select cables in accordance with local cable specifications (green-and-yellow cables are only used for PE).

## 7.1 Overview of the Connection Area



Position	Designation
1	Battery breaker of battery pack
2	Power button of battery pack
3	BAT+ connection port
4	BAT- connection port
5	BMS Communication connectors
6	Grid connection port ;
7	Backup connection port ;
8	Connection point for an additional grounding
9	Communication port ( CAN/RS485,BMS, LAN, Meter/Grid-CT, DRM, PV-CT, AUX )
10	Battery breaker of SMILE-B3-PLUS
11	Connection port for the WiFi module

\*All breakers of SMILE-B3-PLUS are switched off when shipped.

## 7.2 Preparing Cables

No.	Cable	Type	Conductor Cross Section Area Range	Outer Diameter	Source
1	Battery power cable	Standard PV cable in the industry (recommended type: PV1-F)	16 mm <sup>2</sup>	N/A	Delivered with the battery pack
2	Battery communication cable	Standard network cable in the industry (recommended type: Cat5e, UTP, UV-resistant for outdoor use)	0.12 ~0.2 mm <sup>2</sup> (AWG26~AWG24)	N/A	Delivered with the battery pack
3	CT communication cable	Standard network cable in the industry (recommended type: Cat5e, FTP, UV-resistant for outdoor use)	0.12 ~0.2 mm <sup>2</sup> (AWG26~AWG24)	N/A	Delivered with the inverter
4 <sup>※1</sup>	Signal cable	Standard network cable in the industry (recommended type: Cat5e, FTP, UV-resistant for outdoor use)	0.12 ~0.2 mm <sup>2</sup> (AWG26~AWG24)	4 ~ 6 mm	Purchased by the installer
5 <sup>※2</sup>	Signal cable	Multiple-core outdoor shielded twisted pair cable	0.1 ~1.3 mm <sup>2</sup>	4 ~ 6 mm	Purchased by the installer
6	Grid power cable	Three-core (L, N and PE) outdoor copper cable	4 ~ 6 mm <sup>2</sup>	13-18 mm	Purchased by the installer
7	Backup power cable	Three-core (L, N and PE) outdoor copper cable	2.5 ~ 6 mm <sup>2</sup>	6-12 mm	Purchased by the installer
8	PE cable	Single-core outdoor copper cable	6 ~10 mm <sup>2</sup>	N/A	Purchased by the installer

※1 For CAN/RS485, LAN, Meter, DRM communication connection with inverter.

※2 For AUX communication connection with inverter

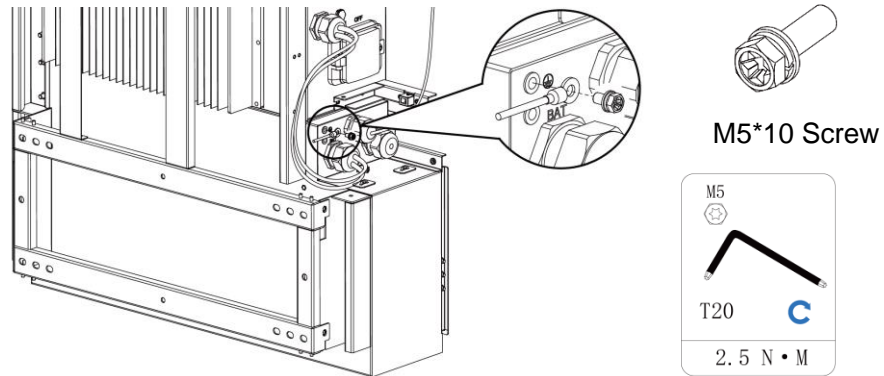


### 7.3 Connecting Additional Grounding

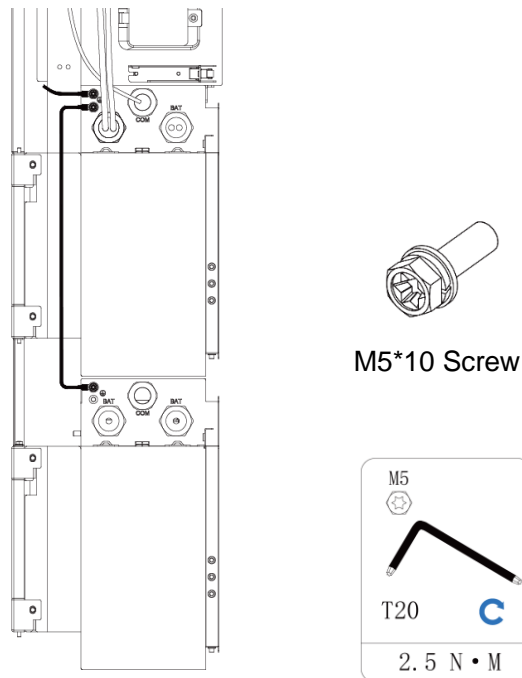
An external grounding connection is provided at the middle left of the SMILE-B3-PLUS.

Prepare M5 OT terminals, strip the grounding cable insulation, insert the stripped part into the ring terminal lug and crimp using a crimping tool.

Connect the OT terminal with ground point using the torque is 2.5 Nm with T20 screwdriver.



Connect the expanded battery to the ground point of SMILE-B3-PLUS with the grounding cable.



## 7.4 AC Connection

### 7.4.1 Conditions for the AC Connection

AC breakers must be installed on the AC side of the SMILE-B3-PLUS to ensure that the system can be safely disconnected from the power grid and the load.



#### **DANGER**

##### **Danger to life due to fire!**

You must protect each SMILE-B3-PLUS with an individual AC circuit breaker in order to ensure that the system can be disconnected safely.

Do not connect loads between the SMILE-B3-PLUS and the grid breaker. No consumer load should be applied between the AC circuit breaker and SMILE-B3-PLUS. Use dedicated circuit breakers with load switch functionality for load switching. The selection of the AC circuit breaker rating depends on the wiring design (wire cross section area), cable type, wiring method, ambient temperature, inverter current rating, etc. Derating of the AC circuit breaker rating may be necessary due to self-heating or if exposed to heat.

The maximum AC current of SMILE-B3-PLUS can be found in the following table.

We recommend the following AC circuit breaker for AC connection.

Description	Max Current	Recommend AC Circuit Breaker Rating
Grid side	26A	40A
Backup side	13A	25A

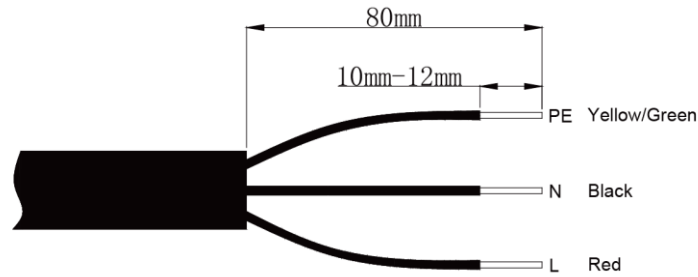
### 7.4.2 Grid and Backup Connection

There are two AC terminal blocks for grid and backup connection which have the same installation steps.

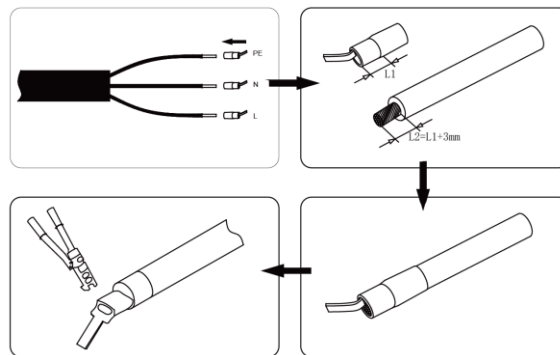
We recommend the following cable requirements for AC connection.

Description	Value
Cable diameter	9-16 mm
Copper conductor cross section area range	4~6 mm <sup>2</sup>
Stripping length of the insulated conductors	10~12 mm

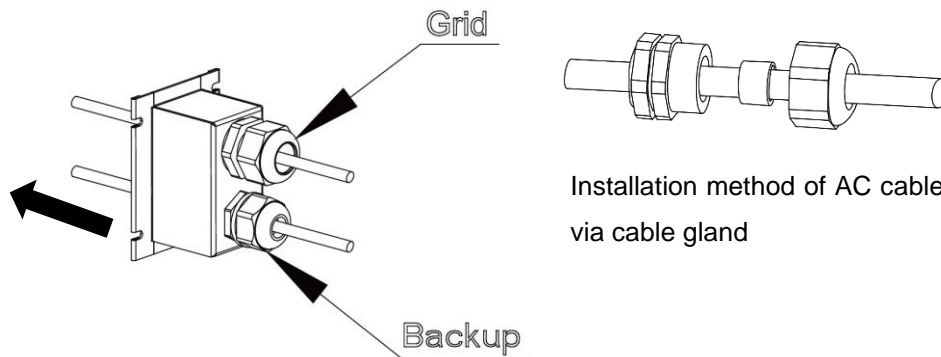
1. Take out the cord end terminals and AC connection cover provided by the inverter.
2. Dismantle the AC cable by 80 mm, and strip the insulation of L, N and PE conductors by 10 mm.



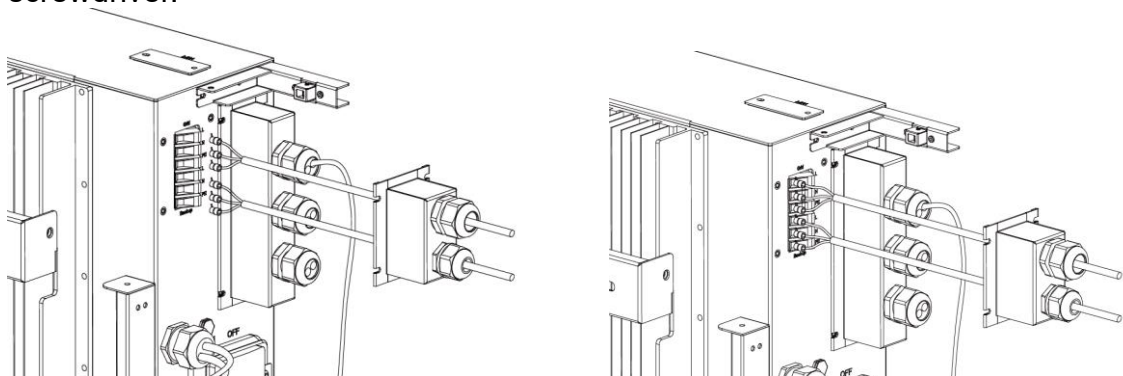
3. Insert the stripped part of the conductors into the cord end terminals and crimp them using a crimping tool.



4. Lead the AC cable through the cable gland of the AC connection cover, don't tighten the pressure cap of the cable gland.

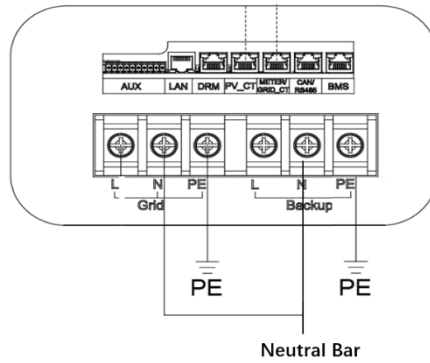


5. Insert the terminals with different color conductor to the hole of the respective polarity and tighten them one by one using the torque of 2 Nm with tool of #2 slotted screwdriver.

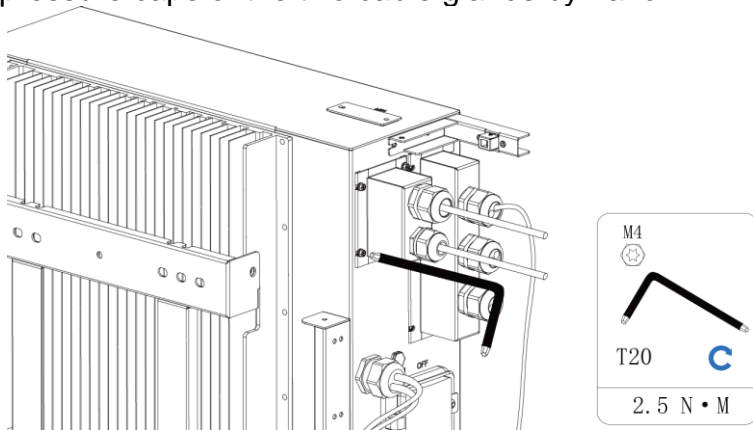


### NOTICE

For Australia and New Zealand installation site, the neutral cable of grid side and backup side must be connected together, otherwise backup output function will not work.



6. Place the AC connection cover against the inverter and tighten them, tighten the pressure caps of the two cable glands by hand.



### **7.4.3 Residual Current Protection**

The inverter is not equipped with an all-pole sensitive residual current monitoring unit (RCMU) which fulfills the requirement of DIN VDE0100-712(IEC60364-7-712:2002). An external residual current device (RCD) is required to be installed as an additional safety measure in a TT or TN-S system. The residual current device which trips at a residual current of 30 mA (Type A).

## 7.5 Meter & CT Connection

### 7.5.1 CT Connection

The CT cables have been installed with SMILE-B3-PLUS when shipped. Please take out 2 CTs (Grid CT and PV CT) provided as accessory.

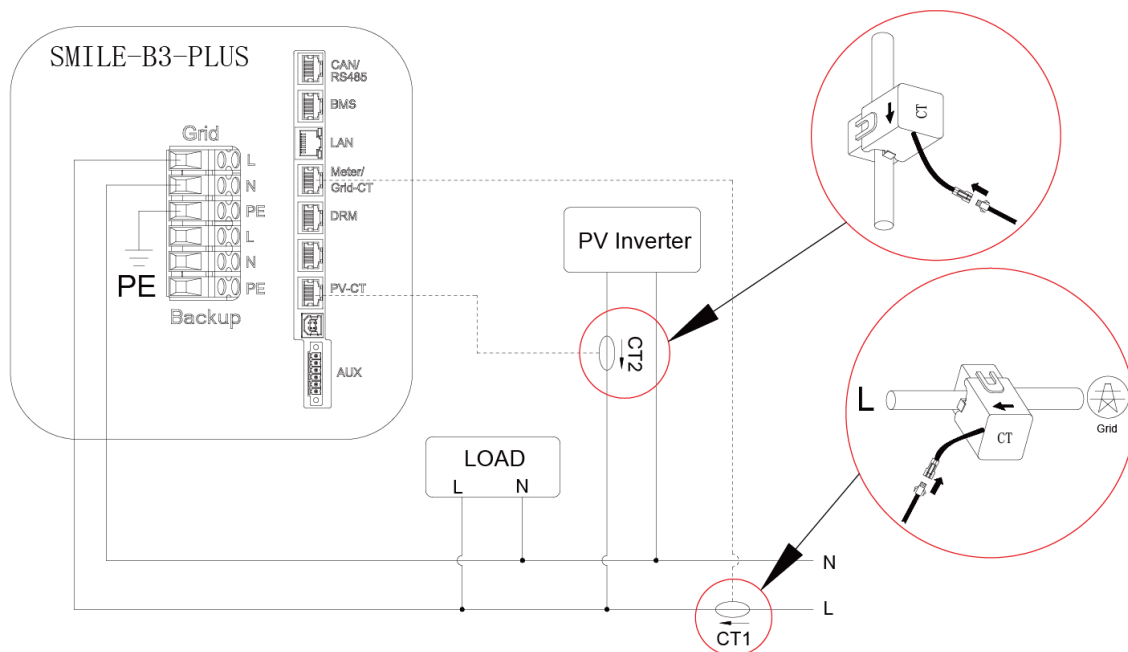
**Step 1:** Buckle the Grid CT on the house-service live wire. The arrow of the Grid CT should point to the Grid port of SMILE-B3-PLUS.

**Step 2:** Buckle the PV CT on the grid live wire. The arrow of the PV CT should point to the Grid port of PV inverter.

**Step 3:** Connect the CT cables to the Grid CT and PV CT respectively.

**NOTE:**

The CT cable marked Grid CT should be connected to the Grid CT, and the CT cable marked PV CT should be connected to the PV CT.

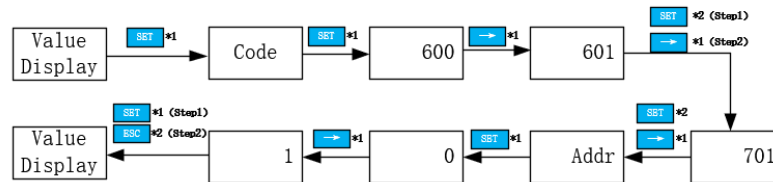


## Meter Setting

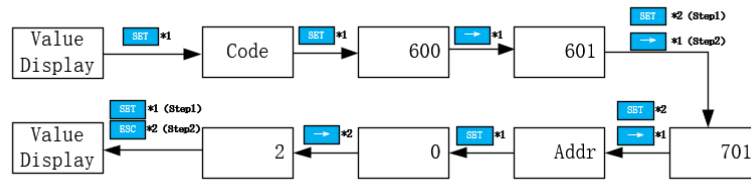
Model	Grid Meter Address	PV Meter Address
DTSU666-3*230V 5A (with-out CT)	1	2
DTSU666-100/40mA (with CT)	1	N/A

### 1. DTSU666-3\*230V 5A: Three-phase meter (without CT)

When the meter is used as Grid meter, please follow the steps below to complete the address setting by pressing the corresponding button and the number of times.

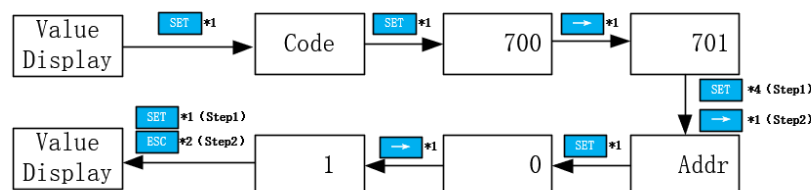


When the meter is used as PV meter, please follow the steps below to complete the address setting by pressing the corresponding button and the number of times.



### 2. DTSU666-100/40mA: Three-phase meter (with CT)

When the meter is used as Grid meter, please follow the steps below to complete the address setting by pressing the corresponding button and the number of times.



## Meter Setting on AlphaCloud

### Step 1:

When the system work mode is selected as DC, click the button under the “Grid Meter” to turn the “Meter” green.

When the system work mode is selected as AC or Hybrid, click the buttons under the “Grid Meter” and “PV side meter” to turn the “Meter” green.

### Step 2:

Click "Save" and wait a few minutes to refresh the page.

When the “Meter Model” displays DTSU666 model, the setting is successful.

### NOTE:

**It is forbidden to tick CT to modify the CT ratio.**

Meter Information

Grid Meter		
Meter <input checked="" type="checkbox"/> CT	Meter CT Ratio	Meter Model
<input type="checkbox"/> CT	<input type="text"/>	<input type="text"/>

PV side meter		
Meter <input checked="" type="checkbox"/> CT	Meter CT Ratio	Meter Model
<input type="checkbox"/> CT	<input type="text"/>	<input type="text"/>



## Meter Setting on AlphaAPP

### Step 1:

When the system work mode is selected as DC, only tick "Meter" on the right of the "Grid Meter".

When the system work mode is selected as AC or Hybrid, both tick "Meter" on the right of the "Grid Meter" and "PV side meter".

### Step 2:

Click "Submit" and enter the "System information" page to check the meter model. When the "Meter Model" displays DTSU666 model, the setting is successful.

### NOTE:

It is forbidden to tick CT to modify the CT ratio.



WiFi Configuration

Connect to the hotspot Router Configuration System Configuration

Basic Parameter Setting

AC/DC/Hybrid Hybrid

On Grid PV Capacity(KW) 5 (kW)

Storage PV Capacity(KW) 6 (kW)

Grid Meter  CT  Meter

CT

PV Meter  CT  Meter

CT

Safety Regulations VDE4105/11.18

Max.Feed-in(%) 100

Submit

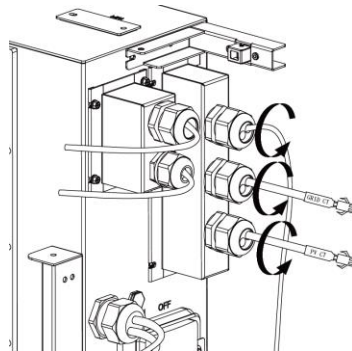
### 7.5.2 Meter Connection (Optional)

The system supports the following two different metering schemes in order to record the feed-in energy and consumption from grid:

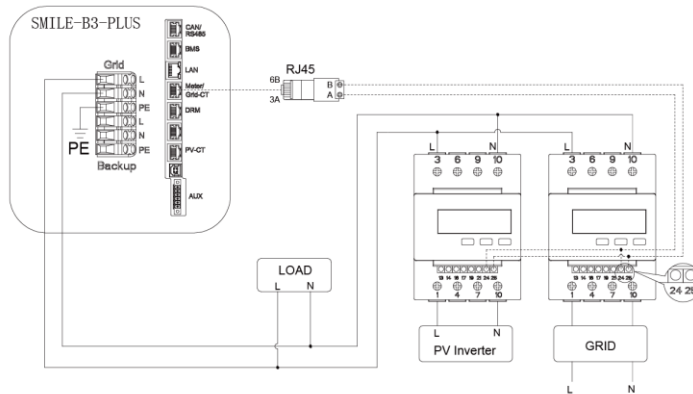
- DTSU666-3\*230V 5A: Three/single-phase meter (without CT)
- DTSU666-100/40mA: Three/single-phase meter (with 3 or 6 CTs)

#### Meter wiring introduction

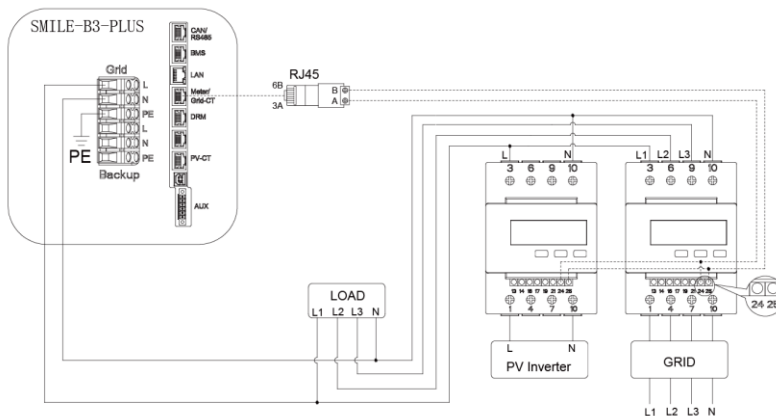
Loosen the waterproof connectors on the COM connection cover, and then remove the screws for fixing the COM connection cover.



#### 1. DSTU666-3\*230V 5A: Three/single -phase meter (without CT) connection

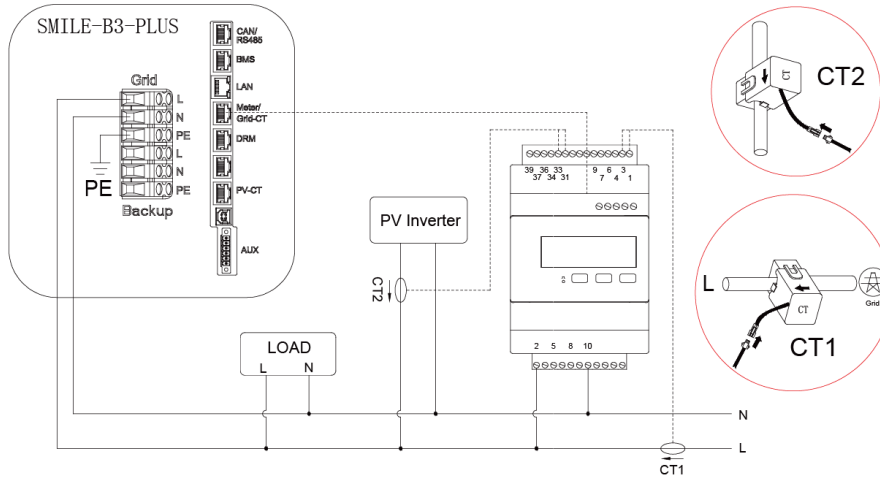


Wiring at single-phase home

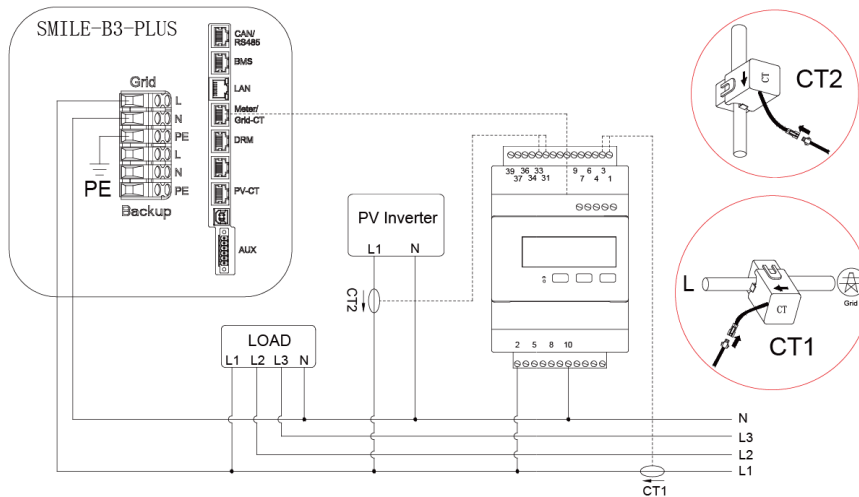


Wiring at three-phase home

## 2. DSTU666-100/40mA: Three/single-phase meter (with CT) connection



Wiring at single-phase home



Wiring at three-phase home

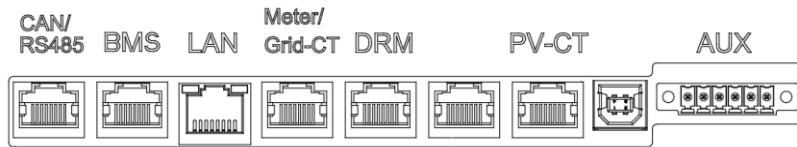
Grid CT	PV CT
1-----IC (White)	31-----IC (White)
3-----IC (Blue)	33-----IC (Blue)

## 7.6 Communication Connection

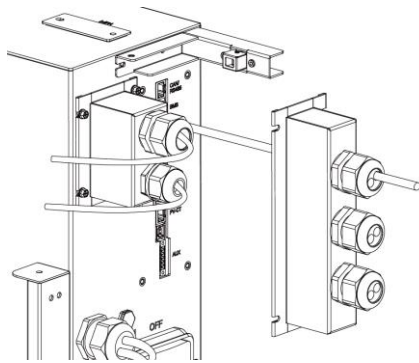
For other communication (AUX, DRM, Meter, CAN/RS485) connection, please follow the below steps.

Loosen the waterproof connectors on the COM connection cover, and then remove the screws for fixing the COM connection cover.

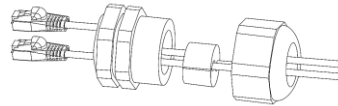
Communication RJ connection port as follows:



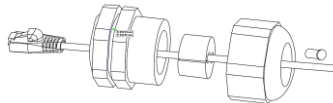
1. Lead the communication cables through the cable glands of the COM connection cover, don't tighten the pressure caps of the cable glands. Insert the RJ45 plugs to the relative RJ45 sockets.



Installation method of two communication cables via M25 cable gland



Installation method of only one communication cable via M25 cable gland



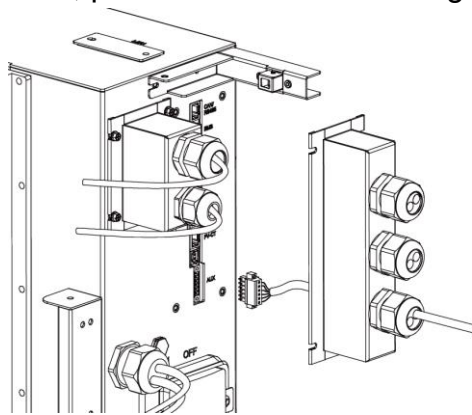
- 1) For meter wiring, please refer to Chapter 7.4.4 Meter Connection.
- 2) If DRM support is specified, the system may only be used in conjunction with a Demand Response Enabling Device (DRED). This ensures that the system implements the commands from the grid operator for active power limitation at all times. The system and the Demand Response Enabling Device (DRED) must be connected in the same network. Only DRM0 is available for SMILE-B3-PLUS.

RJ45 Pin	MODE	View
1	DRM4	
2	DRM5	
3	DRM1	
4	DRM2	
5	DRM3	
6	DRM0	
7	N/A	
8	Ref Gen	

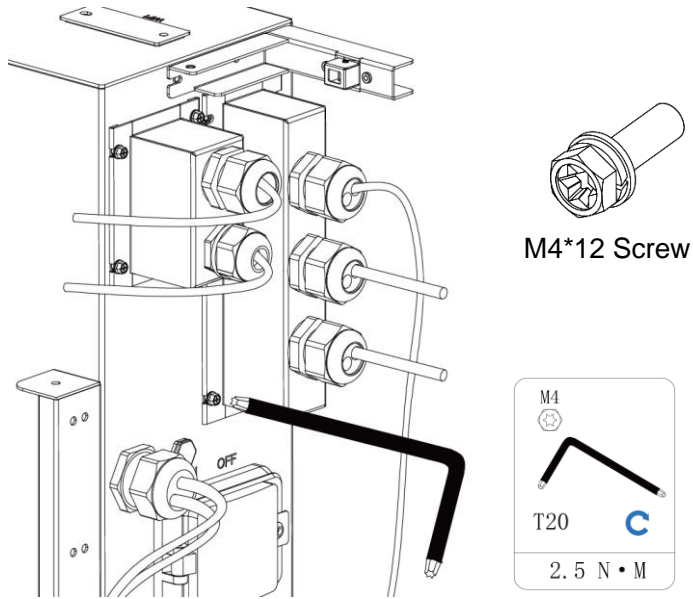
<b>Mode</b>	<b>Requirement</b>
DRM 0	Operate the disconnection device
DRM 1	Do not consume power
DRM 2	Do not consume at more than 50% of rated power
DRM 3	Do not consume at more than 75% of rated power AND Source reactive power if capable
DRM 4	Increase power consumption (subject to constraints from other active DRMs)
DRM 5	Do not generate power
DRM 6	Do not generate at more than 50% of rated power
DRM 7	Do not generate at more than 75% of rated power AND Sink reactive power if capable
DRM 8	Increase power generation (subject to constraints from other active DRMs)

3) Take out 6 pin terminal block for AUX connection. Tighten them one by one using the torque of 0.2 Nm with tool of #0 slotted screwdriver.

For AUX position definition, please see the AUX wiring documentation.

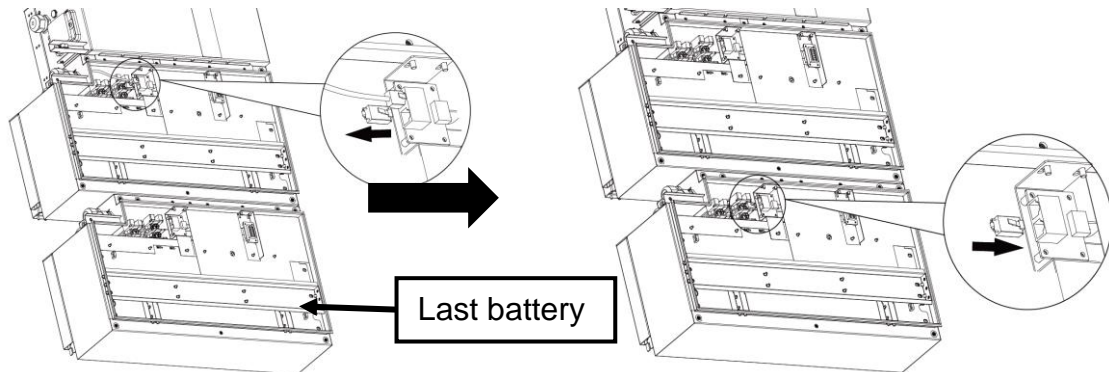


2. Place the COM connection cover against the inverter housing and tighten them.

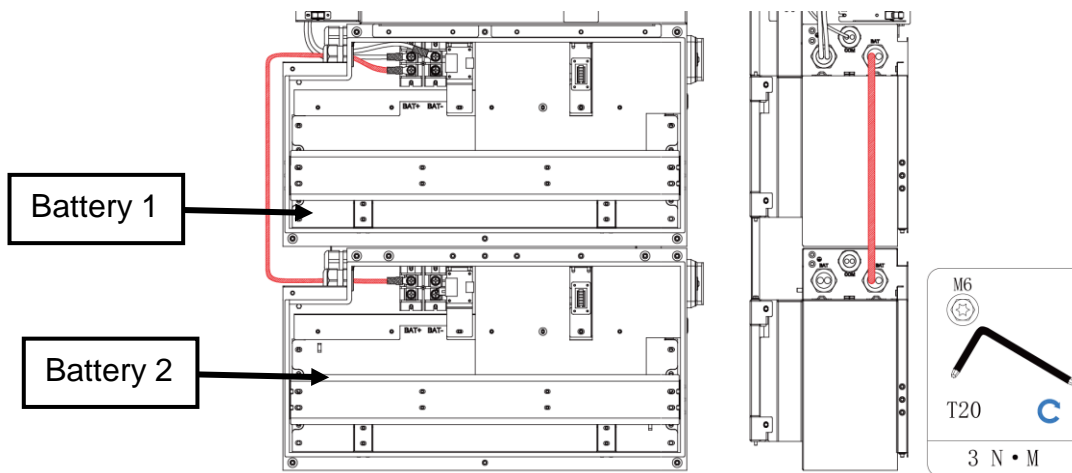


## 7.7 Electrical Connection of Expansion Battery Packs

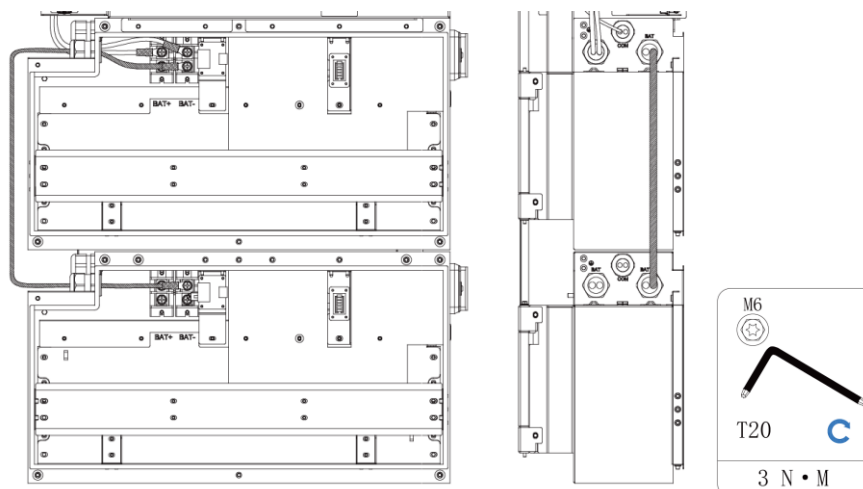
1. Remove the terminal resistance from the battery and insert it into the BMS communication port of the last battery (the battery furthest from the inverter).



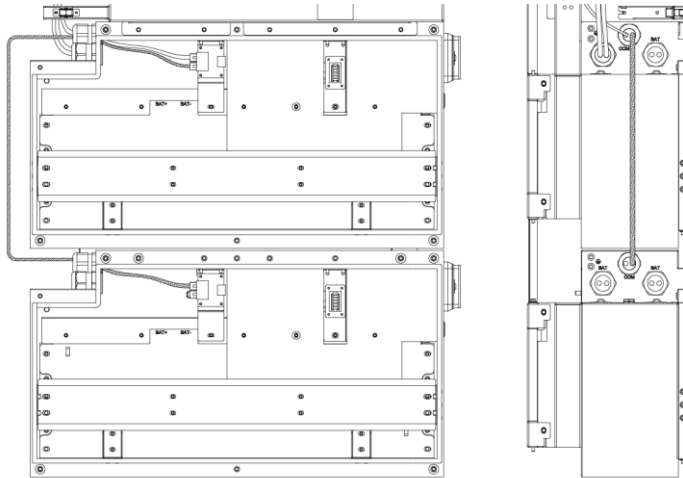
2. Connect the positive power cable from battery 2 to battery 1 (tool: T20 screwdriver, torque: 3 Nm).



3. Connect the negative power cable from battery 2 to battery 1 (tool: T20 screwdriver, torque: 3 Nm).



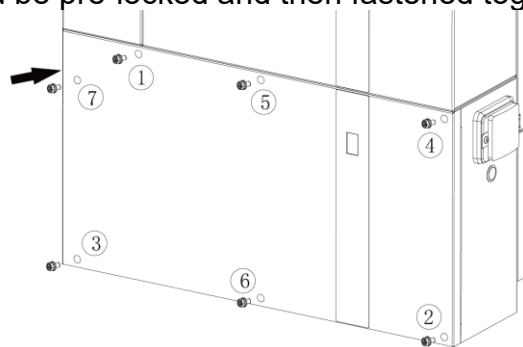
4. Connect the BMS communication cables from battery 2 to battery 1.



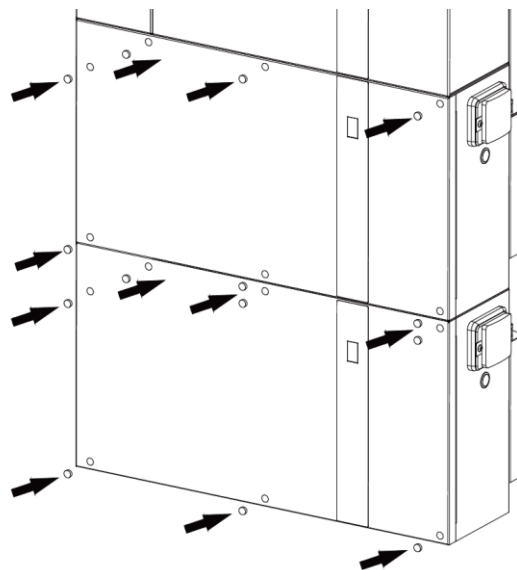
5. Attach the cover to the battery pack.  
Fasten the cover on the battery with screws in sequence 1-7 with screw M5\*12 (X4) (tool: T20 screwdriver, torque: 2.5 Nm).

**NOTE:**

Seven screws should be pre-locked and then fastened together at the end.



6. Insert the rubber plugs of the battery.

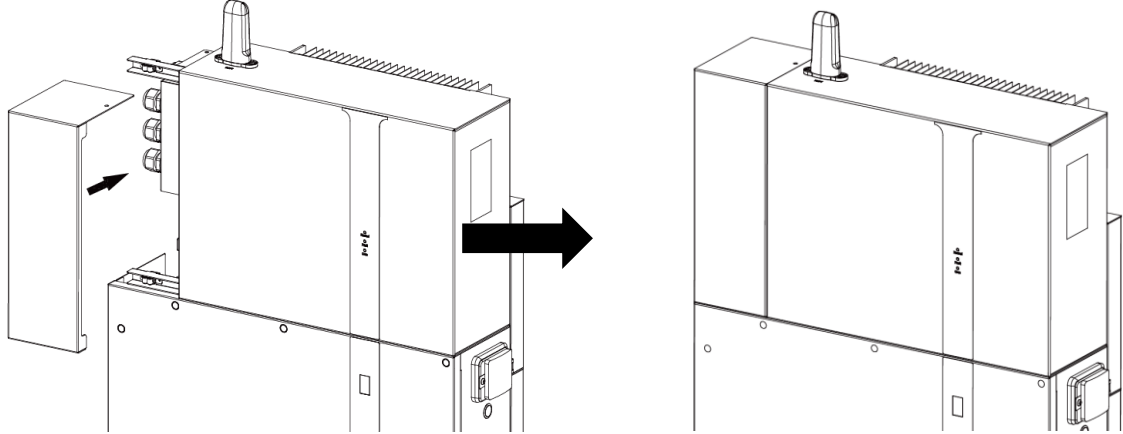




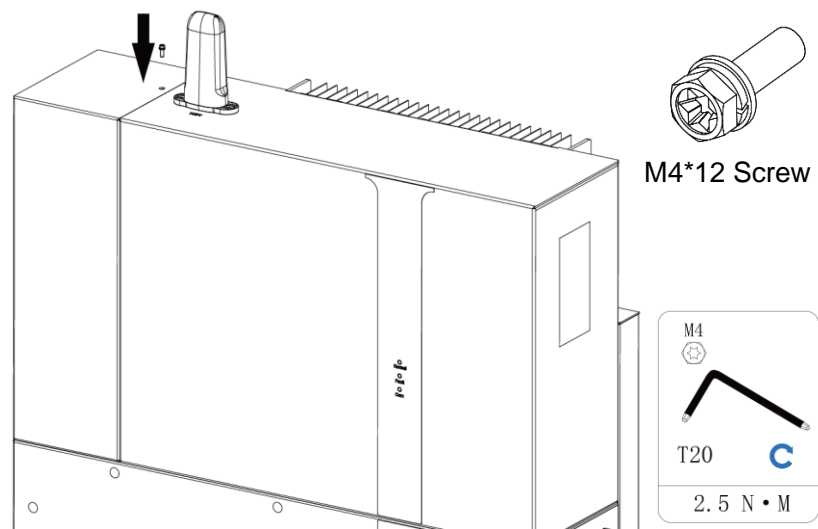
## 7.8 Mounting the Cable Box Cover

Take out the cable box cover which is provided as accessory.

1. Insert the cable box cover until a “click” has been heard.



2. Fasten the screws on the top of SMILE-B3-PLUS (tool: T20 screwdriver, torque: 2 Nm).



## 8. WiFi Setting

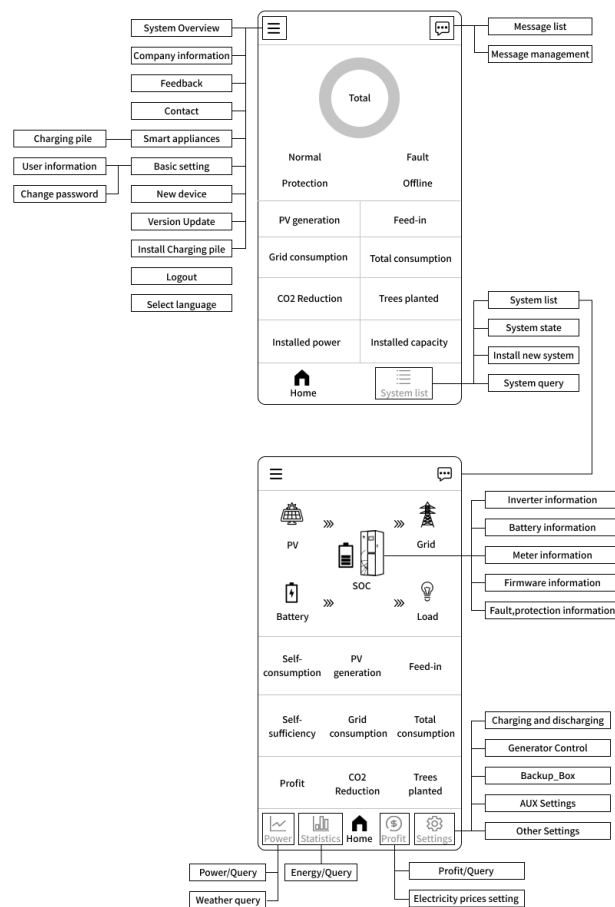
### 8.1 Download and Install APP

1. Android device users can download the APP through major Android application markets such as Google Play.
2. IOS device users can search for “AlphaESS” in AppStore and download the APP.



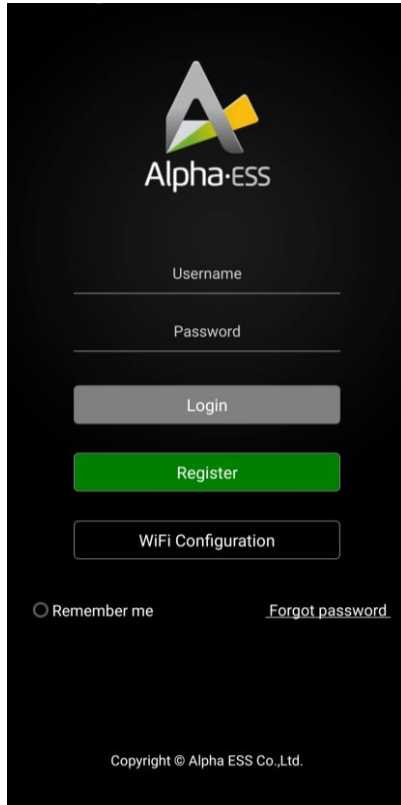
AlphaESS-APP

### 8.2 Overview of Functions for Installer Account

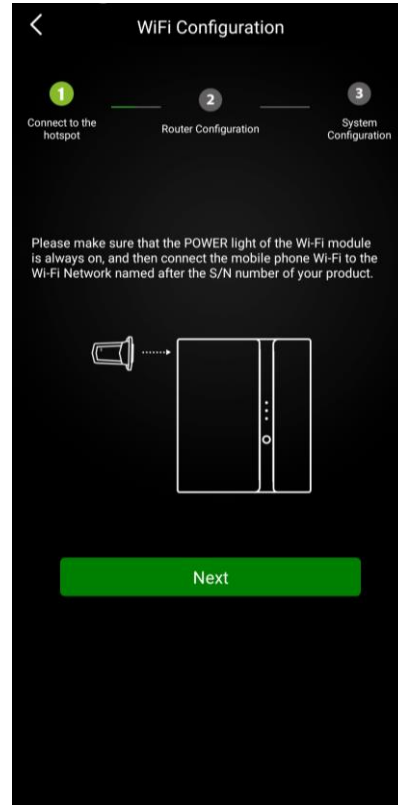


### 8.3 WiFi Module Setting

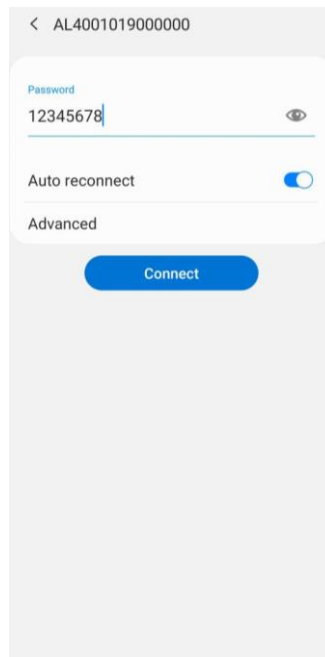
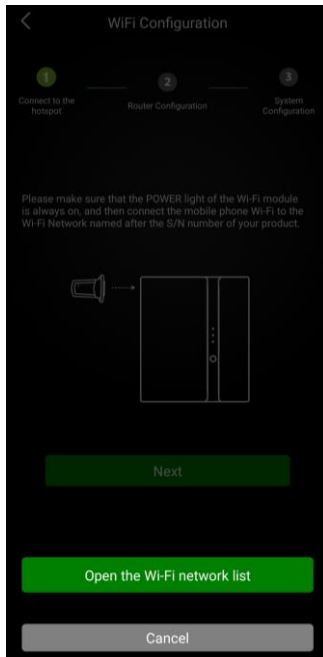
This section is for users who have a system with a WiFi module. AlphaESS App supports network configuration, setting of the system basic parameter, and the viewing of system operation and configuration information.



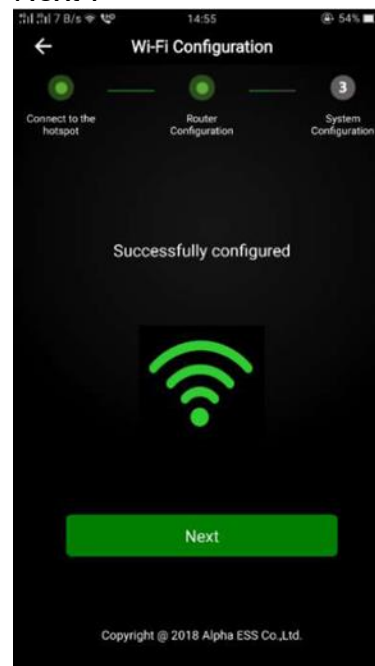
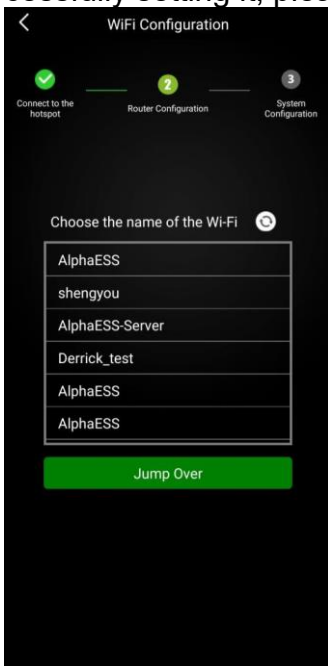
**Step 1:** Open AlphaESS APP, click the “Wi-Fi Configuration” button and enter the WiFi configuration interface.



**Step 2:** After that please check whether your mobile phone has connected to the system’s hotspot.



**Step 3:** If your mobile phone hasn't connected to the system's hotspot, please open the Wi-Fi network list. Please find the hotspot named by the product SN in WLAN list then enter the password "12345678" and connect to it. After successfully setting it, please go back to APP and click "Next".



**Step 4:** Select the WiFi of your home you are using, enter the password, complete the WiFi configuration and submit. If there is no network currently, you can click Jump over to skip the WiFi configuration step and directly set the system parameters. Note: the system will not be able to connect to the Internet without WiFi configuration. For setting the system basic parameters, please refer to AlphaESS APP user guide on the official website.

## 8.4 Safety Parameters Settings

### Procedure

1. Login the account;
2. Click 'System Setup';
3. Choose 'Inverter Information';
4. Choose corresponding 'Safety parameter'

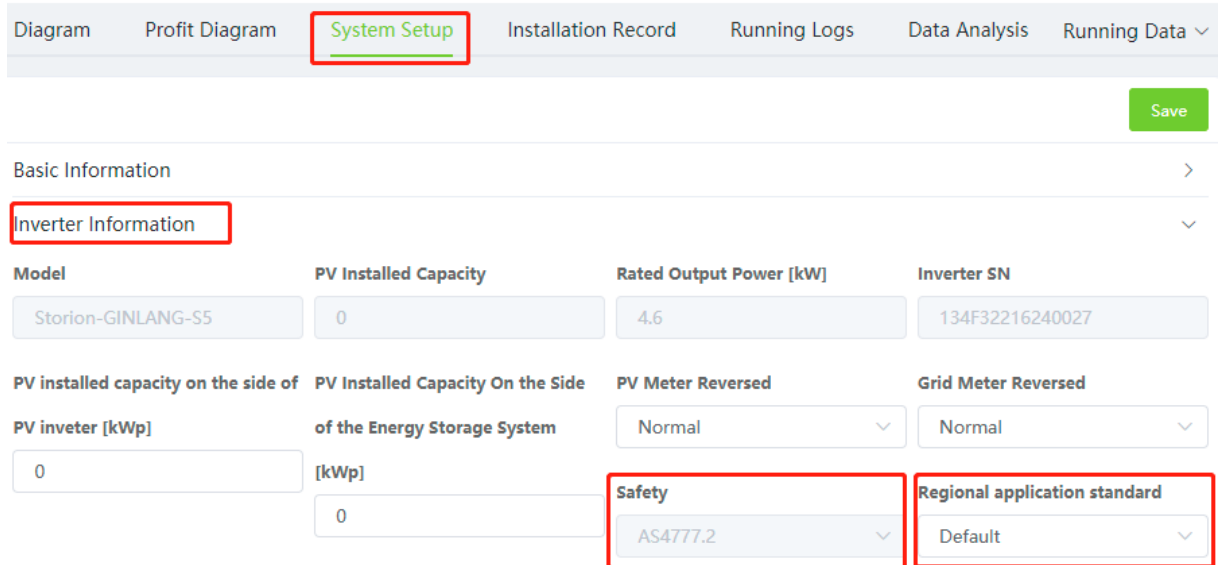


Diagram Profit Diagram **System Setup** Installation Record Running Logs Data Analysis Running Data ▾

**Save**

Basic Information >

**Inverter Information** ▾

Model	PV Installed Capacity	Rated Output Power [kW]	Inverter SN
Storion-GINLANG-S5	0	4.6	134F32216240027

PV installed capacity on the side of PV inverter [kWp]	PV Installed Capacity On the Side of the Energy Storage System [kWp]	PV Meter Reversed	Grid Meter Reversed
0	0	Normal ▾	Normal ▾

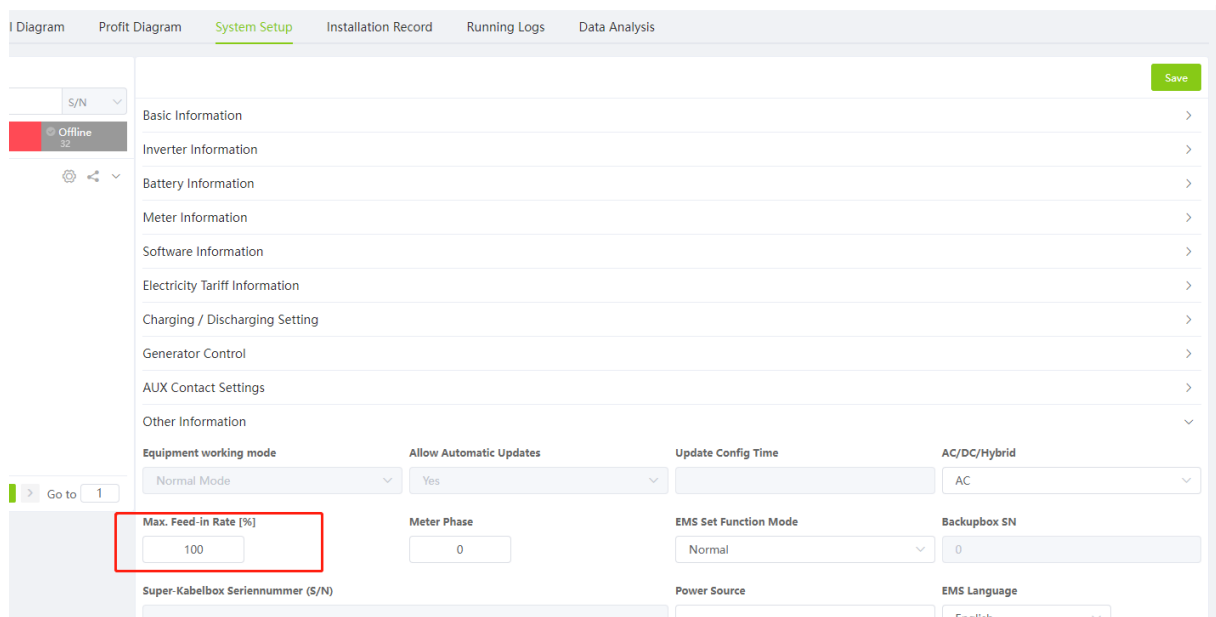
Safety	Regional application standard
AS4777.2 ▾	Default ▾

5. If the safety country is AS4777.2, regional application standard have to be set for different Volt-Watt & Volt-Var settings. All the country code and regional application standard are shown in Appendix 2 & 3.
6. For compliance with AS/NZS 4777.2:2020 please select from Australia A, Australia B, Australia C”

## 8.5 Feed-in limits Settings

### Procedure

1. Login the account;
2. Click 'System Setup';
3. Choose 'Other Information';
4. Set Max. feed-in rate from “0-100%” accordingly



## 9. Commissioning

### 9.1 Checking Before Power-On

No.	Check Item	Acceptance Criteria
1	Mounting environment	The mounting space is proper, and the mounting environment is clean and tidy, without foreign object.
2	Battery pack and inverter mounting	B3-PLUS and expansion battery packs are mounted correctly, securely, and reliably.
3	WiFi mounting	The WiFi module is mounted correctly, securely, and reliably
4	Cable layout	Cables are routed properly as required by the customer.
5	Cable tie	Cable ties are secured evenly and no burr exists.
6	Grounding	The ground cable is connected correctly, securely, and reliably.
7	Switch and breakers status	The battery breakers and all the breakers connecting to the product are OFF.
8	Cable connections	The AC cable, battery cable, and communication cables are connected correctly, securely, and reliably.
9	Unused cable glands	Unused cable glands are blocked by rubber sealings which are secured by pressure caps.

## 9.2 Check the Running State

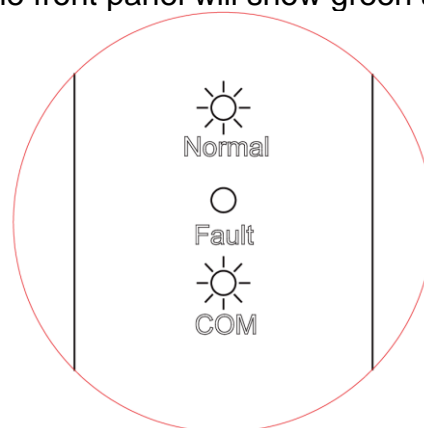
### Prerequisites

Before switching on the AC breaker between the SMILE-B3-PLUS and the grid, check that the AC voltage on the power grid side of the AC breaker is within the specified range.

Please select the acceptance of installation on site when the light intensity is strong.

### Procedure

1. Ensure that the battery breakers of the product and all the breakers connecting to the product are OFF.
2. Check the grid-connected state of the product and the installation of two CTs. Short press the power button on the right side of battery pack, then switch on the battery breaker of battery pack.  
Switch on the battery breaker located at the middle left of SMILE-B3-PLUS.  
Switch on the external AC breaker between the grid and SMILE-B3-PLUS.  
Switch on PV and PV Inverter.  
Set the operating parameters through the APP.  
Wait about 3 minutes for the SMILE-B3-PLUS and the PV Inverter to enter the grid-connected state, and observe the LED states on the front panel. At this time, the following 2 LEDs ("Normal", "COM") and battery indicators on the front panel will show green always.  
Check the running state through app.  
When PV power is not more than 3kW, PV supplies power to the battery and load. The grid power is not more than 100W, then the installation is normal.
3. Check the UPS state of the product  
Switch off the external AC breaker between the grid and the SMILE-B3-PLUS. The SMILE-B3-PLUS will enter the UPS state at once, and observe the LED states on the front panel. At this time, the following 2 LEDs ("Normal", "COM") and battery indicators on the front panel will show green always.



### **NOTICE**

During commissioning, if the "Fault" LED indicator of the inverter or LED indicators of the battery pack show red, please refer to Section 10.2 for troubleshooting.

### 9.3 Powering Off the Product

 **WARNING**

After the product is powered off, the remaining electricity and heat may still cause electric shocks and body burns. Therefore, put on protective gloves and operate the product 5 minutes after the power-off.

#### Procedure

1. Long press the power button of battery pack for 6 seconds, then switch off the battery breaker of battery pack.
2. Switch off the battery breaker which is at the middle left of the inverter.
3. Switch off the AC breaker between the SMILE-B3-PLUS and the load.
4. Switch off the AC breaker between the SMILE-B3-PLUS and the grid.



## 10. Maintenance and Troubleshooting

### 10.1 Routine Maintenance

Normally, SMILE-B3-PLUS need no maintenance or calibration.

Disconnect SMILE-B3-PLUS from all power sources before cleaning. Clean the housing, cover and display with a soft cloth.

To ensure that the SMILE-B3-PLUS can operate properly in the long term, you are advised to perform routine maintenance on it as described in this chapter.

#### Maintenance checklist

Check Item	Acceptance Criteria	Maintenance Interval
Product cleanliness	The heatsink at the back of SMILE-B3-PLUS are free from obstacles or dust.	Once every 6 to 12 months
Product visible damage	The SMILE-B3-PLUS are not damaged or deformed.	Once every 6 months
Product running status	<ol style="list-style-type: none"> <li>SMILE-B3-PLUS operate with no abnormal sound.</li> <li>All parameters of SMILE-B3-PLUS are correctly set. Perform this check when SMILE-B3-PLUS is running.</li> </ol>	Once every 6 months
Electrical connections	<ol style="list-style-type: none"> <li>Cables are securely connected.</li> <li>Cables are intact, and in particular, the cable jackets touching the metallic surface are not scratched.</li> <li>Unused cable glands are blocked by rubber sealing which are secured by pressure caps.</li> </ol>	Perform the first maintenance 6 months after the initial commissioning. From then on, perform the maintenance once every 6 to 12 months.



### **CAUTION**

#### **Risk of burns due to hot heatsink and housing**








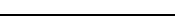
The heatsink and housing can get hot during operation.

- During operation, do not touch any parts other than the cover.
- Wait approx. 30 minutes before cleaning until the heatsink has cooled down.

## 10.2 Troubleshooting

### 10.2.1 Inverter Error Troubleshooting

#### Inverter LED Signals




LED	Status	Description
Normal		Normally on: normal operation
		Single flicker: system standby or self-checking
		Extinguishing: out-of-order
Fault		Extinguishing: fault-free
		Normally on: out-of-order
COM		Normally on: normal network connection
		Flicker: connecting to the server
		Extinguishing: un-connected network






	Description	Solution
Warning	Grid AC over voltage	1. If these warnings occur occasionally, it is a short-time fault of the grid. The inverter will resume work after the grid is normal. No action is required. 2. If these warnings occur frequently but can be automatically cleared, contact the local power operator for permission and modify the grid protection parameters of the inverter. 3. If the recovery fails for a long time, please confirm: 1) Whether the AC circuit breaker is switched off. 2) Whether the AC terminal is in good contact 3) Whether the grid is disconnected.
	Grid AC under voltage	
	Grid AC absent	
	Grid AC over frequency	
	Grid AC under frequency	
	Grid abnormal	
	Inverter over temperature	1. If the warning occurs occasionally and the inverter can resume work automatically. No action is required. 2. If this warning occurs frequently or continuously, check whether the installation site has direct sunlight, good ventilation, and high ambient temperature. If there is no direct sunlight and there is good ventilation and heat dissipation, please contact AlphaESS after-sales team.
	Ground disconnection alarm	Please check whether the grounding cable is connected. If yes, check whether the cables are connected properly.
	Zero firewire reverse alarm	Please check whether the live line and neutral line are inversely connected.
	NTC fail	Please check whether the cable connection to the NTC terminal is loose.
Battery voltage very high	If the warning occurs at the first installation, please check whether the battery voltage is within the allowable range. If this warning occurs during operation, check whether the battery cable is loose and whether the BMS communication is abnormal.	

	Eps capacitance decrease	If the warning occurs occasionally, please restart the system. If the warning still occurs after restart, please contact AlphaESS after-sales team.
Fault	Leakage current abnormal	1.If this warning occurs occasionally, it may be caused by the occasional exception of the external line. When the exception disappears, the system will return to normal. No action is required. 2. If this warning occurs continuously, please contact AlphaESS after-sales team.
	Control power low	1. If this warning occurs occasionally, the inverter will resume work automatically. No action is required 2. If this warning occurs continuously, please contact AlphaESS after-sales team.
	Output DC over current	1. If the warning occurs occasionally, it is a short-time fault of the grid. The inverter will resume work after the grid is normal. No action is required. 2. If this warning occurs continuously, please contact AlphaESS after-sales team.
	Inverter relay abnormal	1. If the warning occurs occasionally, it is a short-time fault of the grid. The inverter will resume work after the grid is normal. No action is required 2. If this warning occurs continuously, please contact AlphaESS after-sales team.
	Leakage current HCT abnormal	1.If this warning occurs occasionally, it may be caused by the occasional exception of the external line. When the exception disappears, the system will return to normal. No action is required. 2. If this warning occurs frequently or cannot be cleared for a long time, please use a multimeter to measure the resistance between the Grid port, L, N and the ground. If the resistance are less than 100 K $\Omega$ , please check whether cables are damaged, connected, or flooded.
	Bus over voltage	1. If this warning occurs occasionally, please restart the inverter. 2. If this warning occurs frequently or cannot be cleared for a long time, please contact AlphaESS after-sales team.
	Internal communication error	Please contact AlphaESS after-sales team.
	EEPROM error	Please contact AlphaESS after-sales team.
	Consistent warning	1. If the warning occurs occasionally, please restart the inverter. 2. If this warning occurs frequently or cannot be cleared for a long time, please contact AlphaESS after-sales team.
	Inverter abnormal	1. If this warning occurs occasionally, please restart the inverter. 2. If this warning occurs frequently or cannot be cleared for a long time, please contact AlphaESS after-sales team.
	Boost abnormal	1. If this warning occurs occasionally, please restart the inverter. 2. If this warning occurs frequently or cannot be cleared for a










		long time, please contact AlphaESS after-sales team.
Battery absent		1. Check whether battery cables are connected properly; 2. Check whether the DC Switch is on; 3. Check whether the BMS communication is normal.
EMS communication error		Check whether the connection terminal between the EMS board and the inverter control board is loose.
UPS overload		Please reduce the loads on the Backup port and restart the inverter, or wait for the warning to be cleared 5 minutes later.
EPS output short		Disconnect the loads on the Backup port and restart the inverter. If the problem is not been solved, please contact AlphaESS after-sales team.
Inv HW over current		1. If the warning occurs occasionally, please restart the inverter. 2. If this warning occurs frequently or cannot be cleared for a long time, please contact AlphaESS after-sales team.
Bus under voltage		1. If this warning occurs occasionally, please restart the inverter. 2. If this warning occurs frequently or cannot be cleared for a long time, please contact AlphaESS after-sales team.
Battery Over Total Voltage		If the warning occurs occasionally, check whether it is cleared three minutes later;
Battery Under Total Voltage		If the warning occurs frequently, please contact AlphaESS after-sales team.
Inv over current		1. If this warning occurs occasionally, please restart the inverter. 2. If this warning occurs frequently or cannot be cleared for a long time, please contact AlphaESS after-sales team.
DC HW over current		1. If this warning occurs occasionally, please restart the inverter; 2. If this warning occurs frequently or cannot be cleared for a long time, please contact AlphaESS after-sales team.
Battery Discharge over current		Please reduce the loads on the Backup port and restart the inverter, or wait for the warning to be cleared 5 minutes later.

### 10.2.2 Battery Protection Description

LED Indicator	Protection Code	LED Display	Description	Troubleshooting
Green LEDs flash once every 3S.	1		Temperature difference	Wait for automated recovery. In case the problem is not recovery for a long time, call for service.
	3		High temperature	Stop discharging and charging until this code is eliminated and wait for the temperature to drop.
	4		Low-temperature discharge	Stop discharging until this code is eliminated and wait for the temperature to rise.

	5		Over-current charge	Wait for automated recovery. In case the problem is not recovery for a long time, call for service.
	6		Over-current discharge	
	8		Cell overvoltage	
	9		Cell under voltage	Stop discharging and call service immediately.
	11		Low-temperature charge	Stop discharging until this code is eliminated and wait for the temperature to rise.

### 10.2.3 Battery Error Description

LED Indicator	Error Code	LED display	Description	Troubleshooting
Red LEDs flash once every 3S.	Error 01		Temperature sensor failure	Please restart the battery. If the problem is not resolved, please call for service.
	Error 05		MOSFET error	
	Error 06		Circuit breaker open	Switch on circuit breaker after powering off the battery.
	Error 08		LMU disconnect (slave)	Reconnect the BMS communication cable.
	Error 09		SN missing	Call for service.
	Error 10		LMU disconnect (master)	Reconnect the BMS communication cable.
	Error 11		Software version inconsistent	Call for service.
	Error 12		Multi master	After shutting down the battery system, please restart all batteries within 30s.
	Error 13		MOS over temperature	Please power off the battery and turn on the battery after about 2 hours.

**i** **NOTE:**

In the case of work mode, if the protection code 09 appears, please press the power button 5 times within 10 seconds, the BMS will be forced to turn on the MOSFET of discharge so that the inverter can detect the battery open voltage and charge the battery.

## 11. Uninstallation & Return

### 11.1 Removing the Product

#### Procedure

**Step 1:** Power off the product by following instructions in Chapter 9.3 Powering Off the Product.

**Step 2:** Disconnect all cables from the product, including communication cables, battery power cables, AC cables, and PE cables.

**Step 3:** Remove the WiFi module.

**Step 4:** Remove SMILE-B3-PLUS from the wall bracket.

**Step 5:** Remove the mounting bracket.

### 11.2 Packing the Product

If the original packaging is available, put SMILE-B3-PLUS inside it and then seal it using adhesive tape.

If the original packaging is not available, put SMILE-B3-PLUS inside a suitable cardboard box and seal it properly.

### 11.3 Disposing of the Product

If SMILE-B3-PLUS service life expires, dispose of it according to the local rules for electrical equipment and electronic component waste.

Dispose of the packaging and replaced parts according to the rules at the installation site where the device is installed.

Do not dispose SMILE-B3-PLUS with normal domestic waste.



## 12. Specification

### 12.1 Technical Data of SMILE-B3-PLUS

<b>Battery (Inverter side)</b>	
Battery Type	Li-ion
Battery Voltage Range	40 ~ 58 V
Maximum Charge/ Discharge Power	3 kW
Maximum Charge/ Discharge Current	60 A / 60 A
Communication	CAN
<b>Output AC (Back-up side)</b>	
Rated Output Power	3 kW
Max. Apparent Output Power	3 kVA
Back-up Switch Time	<10 ms
Rated Output Voltage	L/N/PE, 230 V
Rated Frequency	50/60 Hz
Rated Output Current	13 A
THDv(@linear load)	3%
<b>Input AC (Grid side)</b>	
Rated Input Voltage	L/N/PE, 230 V
Rated Frequency	50/60 Hz
Rated Input Power	6 kW
Max. Input Current	26 A
<b>Output AC (Grid side)</b>	
Rated Output Power	3 kW
Max. Apparent Output Power	3 kVA
Phase	Single phase
Rated Grid Voltage	L/N/PE, 230 V
Grid Voltage Range	180 ~ 270 V
Rated Grid Frequency	50 / 60 Hz
Rating Grid Output Current	13 A
Power Factor	>0.99 (0.8 leading - 0.8 lagging)
THDi	< 3%
Protection class	I
Overvoltage category	III
<b>Efficiency (Inverter side)</b>	

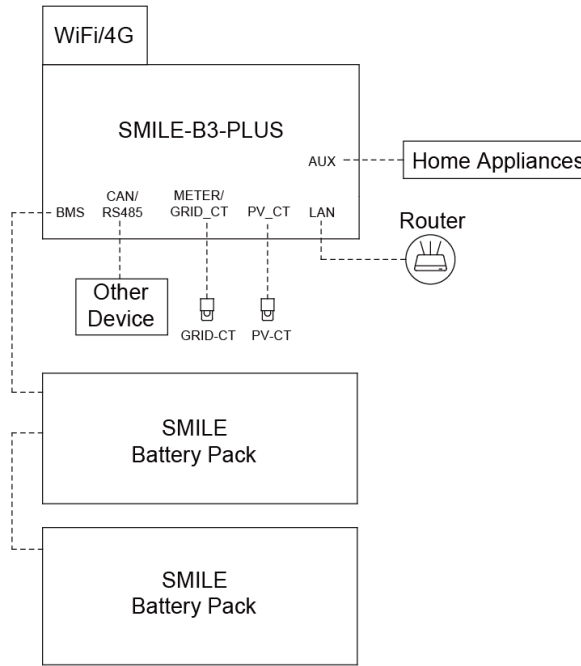


Max Efficiency	>94.5%
<b>Protection (Inverter side)</b>	
Anti-Islanding Protection	Integrated
Insulation Resistor Detection	Integrated
Residual Current Monitoring Unit	Integrated
Output Over Current Protection	Integrated
Output Short Protection	Integrated
Output Overvoltage Protection	Integrated
Battery Reverse Protection	Integrated
Battery Breaker	Integrated
<b>Features</b>	
AC Connection	Terminal block
BAT Connection	Terminal block
Communication	LAN, WiFi (optional)
Warranty	5 years standard
<b>General Data</b>	
Display	LED
Dimensions (W*H*D)	640*725*250 mm
Weight	64 kg
Topology	Transformerless
Operation Temperature Range	-10 ~ +50 °C
Ingress Protection	IP65
Relative Humidity	0 ~ 100%
Noise Emission	<30 dB(A) @1m
Cooling Concept	Natural convection
Max. Operation Altitude	3000 m
<b>Battery pack (SMILE-BAT-5P)</b>	
Battery Type	LFP (LiFePO4)
Weight	48 kg
Dimension (W*H*D)	640*345*250 mm
Ingress Protection	IP65
Energy Capacity	5.04 kWh
Usable Capacity	4.8 kWh
Depth Of Discharge (DoD)	95%

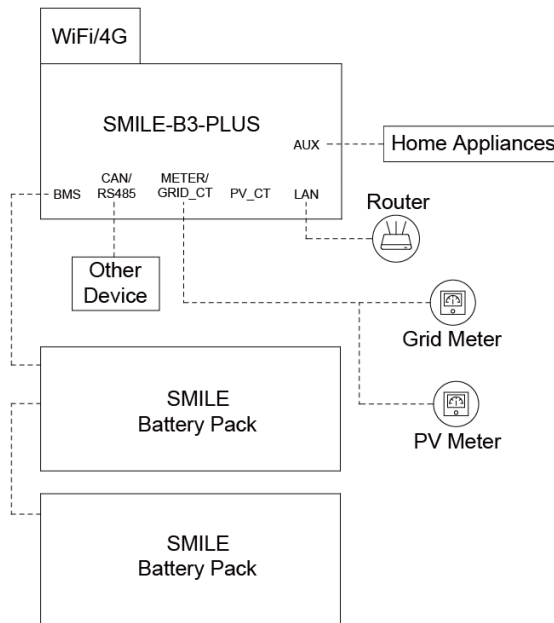
Nominal Voltage	48 V
Operating Voltage Range	45 ~ 54 V
Internal Resistance	≤ 20 mΩ
Max. Charging/Discharging Current*	60 A
Operating Temperature Range	Charge: 0<T<50°C / Discharge: -10<T<50°C
Monitoring Parameters	System voltage, current, cell voltage, cell temperature, PCBA temperature
BMS Communication	CAN and RS485 compatible
<b>System</b>	
Grid Connection Standard	AS 4777.2, G98-1, G100, CEI 0-21, EN50549, NRS097-2-1
Safety	IEC62040-1, IEC62109-1/-2, AS3100, NB/T 32004, IEC62040, IEC62619,
EMC Standard	EN61000-6-1/-2/-3/-4
Warranty	5 Year product warranty, 10 Year performance warranty
Transportation	UN38.3

\* Max. charge/discharge current derating will occur related to temperature and SOC.

## Appendix 1: Communication Connection Figure



Connect the CT



Connect the Meter

## Appendix 2: Safety Country Code

	Safety Code	Country	Remarks
1	VDE0126	France	
2	VDE4105	Germany	
3	AS4777.2	Australia	Regional standards
4	C10/C11	Belgium	
5	TOR Erzeuger	Austria	
6	CEI 0-21	Italy	
7	NRS 097-2-1	South Africa	
8	G98/G99	Britain	
9	50Hz default	50Hz grid	For 50Hz grid region
10	G98/G99-IE	Ireland	
11	EN50549	EU	
12	NC Rfg	Poland	

## Appendix 3: Regional application Standard

Regional application Standard	Electric Company
Australia A	N/A
Australia B	N/A
Australia C	N/A
New Zealand	N/A
Victoria	Ausnet Services
	Jemena
	Citipower
	Powercor
	United Energy
Queensland	Energex
	Ergon Energy
South Australia	SA Power Networks
New South Wales	Ausgrid
	Endeavour Energy
	Essential Energy
Western Australia	Horizon Power
	Western Power
Australian Capital Territory	Evoenergy
Northern Territory	NT Power and Water
Tasmania	Tas Networks

- Choose the correspond Regional application Standard, the power quality modes Volt-var and Volt-Watt will running automatically. (Only for Australia)
- To adjust the default values for the power quality response modes and grid protection settings, please contact Alpha ESS